

# Contextual Merged Processes

César Rodríguez, Stefan Schwoon, and  
Victor Khomenko

April 7, 2013

Research report LSV-13-06



LSV

**Laboratoire Spécification & Vérification**

École Normale Supérieure de Cachan  
61, avenue du Président Wilson  
94235 Cachan Cedex France



cnrs

dépasser les frontières



# Contextual Merged Processes\*

César Rodríguez<sup>1</sup>, Stefan Schwoon<sup>1</sup>, and Victor Khomenko<sup>2</sup>

Email `cesar.rodriguez@lsv.ens-cachan.fr`

Address <sup>1</sup> LSV, ENS Cachan & CNRS, INRIA Saclay, France

<sup>2</sup> School of Computing Science, Newcastle University, U.K.

**Abstract** We integrate two compact data structures for representing state spaces of Petri nets: merged processes and contextual prefixes. The resulting data structure, called *contextual merged processes (CMP)*, combines the advantages of the original ones and copes with several important sources of state space explosion: concurrency, sequences of choices, and concurrent read accesses to shared resources. In particular, we demonstrate on a number of benchmarks that CMPs are more compact than either of the original data structures. Moreover, we sketch a polynomial (in the CMP size) encoding into SAT of the model-checking problem for reachability properties.

## 1 Introduction

Model checking of concurrent systems is an important and practical way of ensuring their correctness. However, the main drawback of model checking is that it suffers from the *state-space explosion (SSE)* problem [Val98]. That is, even a relatively small system specification can (and often does) yield a very large state space. To alleviate SSE, many model-checking techniques use a condensed representation of the full state space of the system. Among them, a prominent technique are McMillan’s Petri net unfoldings (see, e.g. [McM92,ERV02,Kho03]). They rely on the partial-order view of concurrent computation and represent system states implicitly, using an acyclic *unfolding prefix*.

There are several common sources of SSE. One of them is concurrency, and the unfolding techniques were primarily designed for efficient verification of highly concurrent systems. Indeed, complete prefixes are often exponentially smaller than the corresponding reachability graphs because they represent concurrency directly rather than by multidimensional ‘diamonds’ as it is done in reachability graphs. For example, if the original Petri net consists of 100 transitions that can fire once in parallel, the reachability graph will be a 100-dimensional hypercube with  $2^{100}$  vertices, whereas the complete prefix will be isomorphic to the net itself. However, unfoldings do not cope well with some other important sources of SSE, and in what follows, we consider two such sources.

One important source of SSE are sequences of choices. For example, the smallest complete prefix of the Petri net in Fig. 1 is exponential in its size since no event can be declared a cutoff — intuitively, each reachable marking ‘remembers’ its past, and so different runs cannot lead to the same marking.

Another important source of SSE are concurrent read accesses, that is, multiple actions requiring non-exclusive access to a shared resource. *Contextual nets (c-nets)* are an extension

---

\*This research was supported by the EPSRC grant EP/K001698/1 (UNCOVER).

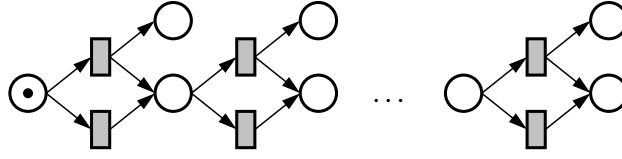


Figure 1: A Petri net with exponentially large unfolding prefix.

of Petri nets where such read accesses are modelled by a special type of arcs, called *read arcs* and denoted by lines (in contrast to arrows for the traditional consuming and producing arcs). Read arcs allow a transition to check for the presence of a token without consuming it. As concurrent read access to a shared resource is a natural operation in many concurrent systems, c-nets are often the formalism of choice for a wide variety of applications, e.g. to model concurrent database access [Ris94], concurrent constraint programs [MR94], priorities [JK91], and asynchronous circuits [VSY98].

The usual way of modelling c-nets using traditional Petri nets is by replacing read arcs by “consume-reproduce loops”: a transition consumes a token from a place and immediately puts a token back, see Fig. 2 (a,b). Unfortunately, this makes the unfolding technique inefficient: concurrent transitions of a c-net reading the same place are sequentialised by this encoding, and thus all their interleavings are represented in the unfolding, see Fig. 3 (b). This problem can be mitigated using the place-replication (PR) encoding proposed in [VSY98], which replicates each place that is read by several transitions so that each of them obtains a “private” copy of the place and accesses it using a consume-reproduce loop, see Fig. 2 (a,c). However, the resulting unfolding may still be large, see Fig. 3 (c). Moreover, the PR encoding can significantly increase the sizes of presets of some transitions, considerably slowing down the unfolding algorithm, because (with some reasonable assumptions) the problem of checking if the currently built part of the prefix can be extended by a new instance of a transition  $t$  is NP-complete in the prefix size and  $|\bullet t|$  [Hel99a, Sect. 4.4].

Recently, techniques addressing these sources of SSE emerged. In [KKKV06], a new condensed representation of Petri net behaviour called *merged processes (MPs)* was proposed, which copes not only with concurrency, but also with sequences of choices. Moreover, this representation is sufficiently similar to the traditional unfoldings so that a large body of results developed for unfoldings can be re-used. The main idea behind MPs is to fuse some nodes in the unfolding prefix, and use the resulting net as the basis for verification. For example, the unfolding of the net shown in Fig. 1 will collapse back to the original net after the fusion. It turns out that for a safe Petri net, model checking of a reachability-like property (i.e. the existence of a reachable state satisfying a predicate given by a Boolean expression) can be efficiently performed on its MP, and [KKKV06] provides a polynomial reduction of this problem to SAT. Furthermore, an efficient *unravelling algorithm* that builds a complete MP of a given safe PN has been proposed in [KM11]. The experimental results in [KKKV06] indicate that this method is quite practical. Unfortunately, MPs do not cope well with read arcs, as illustrated in Fig. 4.

An extension of the unfolding technique to c-nets was proposed in [BCM01, VSY98], and a practical unfolding algorithm and SAT-based model checking for reachability-like properties

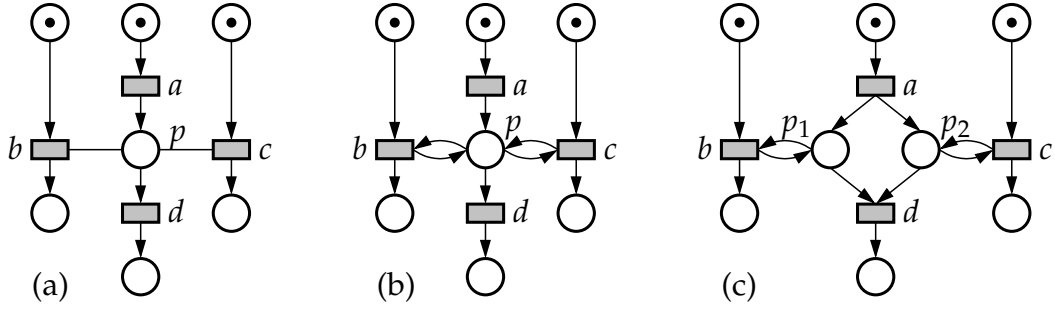


Figure 2: (a) A c-net; (b) its *plain encoding*; (c) and its *place-replication encoding*.

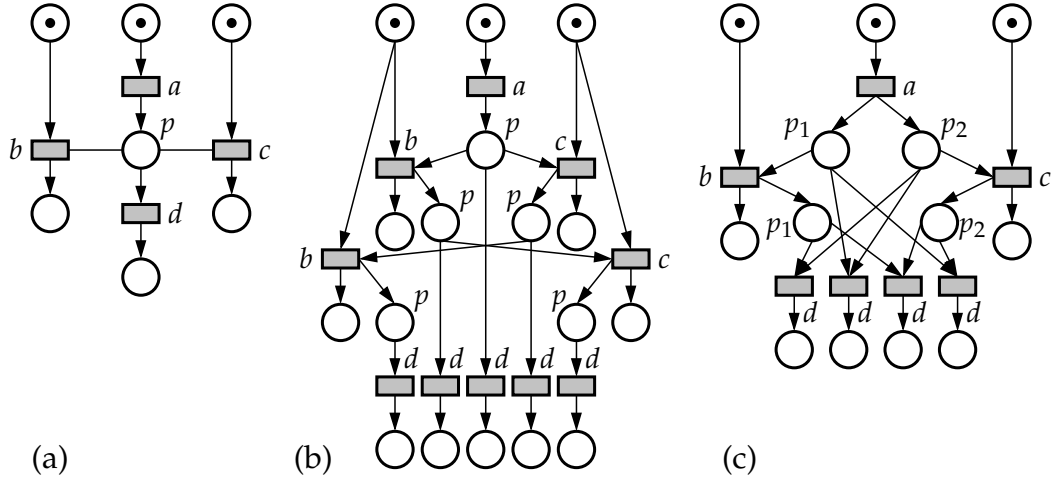


Figure 3: Unfoldings of (a), (b), and (c) in Fig. 2

have been developed in [BBC<sup>+</sup>12,RS12]. The idea is to allow read arcs also in the unfolding, which allows for significant compression in some cases — see Fig. 3(a). The experimental results in [BBC<sup>+</sup>12,RS12] demonstrate that the performance of this method is comparable to the traditional unfoldings when c-nets have no read arcs (i.e. can be directly interpreted as Petri nets), and can be much better (in terms of both the runtime and the size of the generated prefix) than traditional unfolding of plain and PR encodings of c-nets with many read arcs. Unfortunately, this method does not cope with SSE resulting from sequences of choices, e.g. it does not offer any improvement for the Petri net in Fig. 1, as it contains no read arcs.

In this paper we observe that the described techniques for compressing the unfolding prefix are in fact orthogonal, and can be combined into one that copes with all the mentioned sources of SSE, viz. concurrency, sequences of choices and concurrent read accesses to a shared resource. Moreover, there are striking similarities between the main complications that had to be overcome in the theories of MPs and c-net unfoldings: events have multiple local configurations (which causes difficulties in detection of cutoff events), and certain cycles (in the flow relation in case of MPs and in the asymmetric conflict relation in case of c-net unfoldings) have to be prohibited in valid configurations. Hence, the combination of the two

techniques is not only possible, but also is very natural.

The paper is organised as follows. In Section 2 we provide the necessary definitions related to c-nets and unfoldings. Section 3 — the main contribution of this paper — introduces the notion of a *contextual merged process (CMP)* and provides results to characterise the configurations of CMPs of safe c-nets. We use these results in Section 4 to discuss the construction and SAT-based model checking of CMPs. In Section 5 we experimentally evaluate the proposed approach on a number of benchmark examples. In Section 6 we conclude and outline the directions for future research.

This report is an extended version of [RSK13].

## 2 Basic Notions

In this section, we set our basic definitions and recall previous results (see [BCKS08, RSB11]).

A *multiset* over a set  $S$  is a function  $M: S \rightarrow \mathbb{N}$ . The *support* of  $M$  is the set  $\bar{M} := \{x \in S \mid M(x) > 0\}$  of elements in  $S$  occurring at least once in  $M$ . We write  $x \in M$  if  $x$  is in the support of  $M$ . We say that  $M$  is finite iff its support is. Given multisets  $M$  and  $N$  over  $S$ , their sum and difference are  $(M + N)(x) := M(x) + N(x)$  and  $(M - N)(x) := \max(0, M(x) - N(x))$ . We write  $M \leq N$  iff  $M(x) \leq N(x)$  for all  $x \in S$ . Any function  $f: S \rightarrow T$  can be lifted to multisets by letting  $f(M)(x) := \sum_{y \in f^{-1}(x)} M(y)$ ; note that this sum is well-defined iff finitely many of its summands are non-zero, which is always the case if, for instance,  $M$  has a finite support. Any set can be interpreted as a multiset in the natural way.

A *contextual net (c-net)* is a tuple  $N = \langle P, T, F, C, m_0 \rangle$ , where  $P$  and  $T$  are disjoint sets of *places* and *transitions*,  $F \subseteq (P \times T) \cup (T \times P)$  is the *flow relation*,  $C \subseteq P \times T$  is the *context relation*, and the *initial marking*  $m_0$  is a multiset over  $P$ . A pair  $(p, t) \in C$  is called *read arc*. A *Petri net* is a c-net without read arcs.  $N$  is called *finite* if  $P$  and  $T$  are finite sets. Places and transitions together are called *nodes*. Fig. 2 (a) depicts a c-net, where read arcs are drawn as undirected lines, e.g. between  $p$  and  $c$ .

For  $x \in P \cup T$ ,  $\bullet x := \{y \in P \cup T \mid (y, x) \in F\}$  is the *preset* of  $x$ ,  $x^\bullet := \{y \in P \cup T \mid (x, y) \in F\}$  is the *postset* of  $x$ .

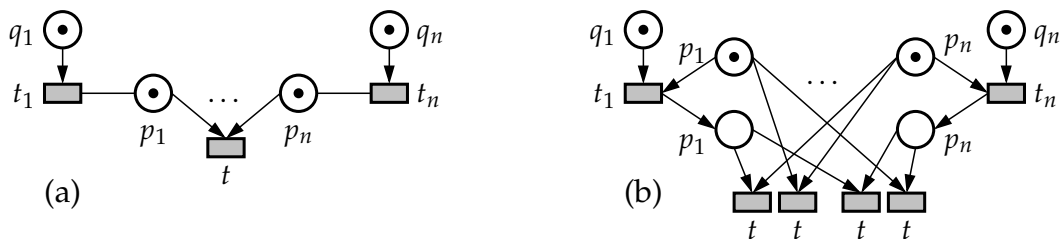


Figure 4: A c-net (a) whose contextual unfolding is isomorphic to the c-net itself, but whose plain encoding into a Petri net has exponentially large merged process, since no place instances in its unfolding (b) can be merged, and so there are  $2^n$  mp-events corresponding to transition  $t$ . (For this c-net the PR encoding coincides with the plain one, and so has the same unfolding and MP.)

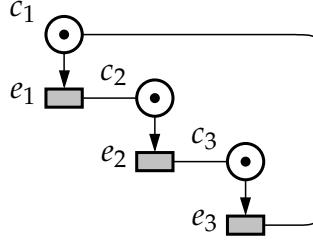


Figure 5: An occurrence net illustrating circular asymmetric conflict.

$F$  is the *postset* of  $x$ , and  $\underline{x} := \{y \in P \cup T \mid (y, x) \in C \cup C^{-1}\}$  is the *context* of  $x$ . We assume that for each node  $x \in P \cup T$  the sets  $\bullet x$ ,  $x^\bullet$ , and  $\underline{x}$  are pairwise disjoint.

A *marking* of  $N$  is a multiset  $m$  over  $P$ . A transition  $t$  is *enabled* at  $m$  if  $m(p) \geq 1$  for all  $p \in \underline{t} \cup \bullet t$ . Such  $t$  can *fire*, leading to the well-defined marking  $m' := m - \bullet t + t^\bullet$ . The tuple  $\langle m, t, m' \rangle$  is called a *step*. A marking  $m$  is *reachable* if it can be obtained by a finite sequence of firings starting at  $m_0$ .  $N$  is *k-bounded* if  $m(p) \leq k$  for all reachable  $m$  and all  $p \in P$ , and *safe* if it is 1-bounded. For safe nets, we treat markings as sets of places.

Two distinct transitions  $t$  and  $t'$  are in *symmetric conflict*, denoted  $t \# t'$ , if  $\bullet t \cap \bullet t' \neq \emptyset$ , and in *asymmetric conflict*, written  $t \nearrow t'$ , if (i)  $t^\bullet \cap (\bullet t' \cup \underline{t}') \neq \emptyset$ , or (ii)  $\underline{t} \cap \bullet t' \neq \emptyset$ , or (iii)  $t \# t'$ . Intuitively, when  $t \nearrow t'$ , then if both  $t, t'$  fire in a run,  $t$  fires before  $t'$ . Note that  $t$  and  $t'$  may not fire together in any run, e.g. if  $t \# t'$ , where we have  $t \nearrow t'$  and  $t' \nearrow t$  — corresponding to the intuition that  $t$  has to fire before  $t'$  and vice versa. In Fig. 6 (b) we have  $e_3 \nearrow e_5$  due to (i); in Fig. 5 we have  $e_1 \nearrow e_2$  due to (ii). For a set of transitions  $X \subseteq T$ , we write  $\nearrow_X$  to denote the relation  $\nearrow \cap (X \times X)$ .

Let  $N' = \langle P', T', F', C', m'_0 \rangle$  be a c-net. A *homomorphism* [VSY98] from  $N$  to  $N'$  is a function  $h: P \cup T \rightarrow P' \cup T'$  satisfying:  $h(P) \subseteq P'$ ,  $h(T) \subseteq T'$ ,  $h(m_0) = m'_0$ , and  $h$  restricted to  $\bullet t$ ,  $t^\bullet$ ,  $\underline{t}$  for all  $t \in T$  is a bijection to  $\bullet h(t)$ ,  $h(t)^\bullet$  and  $\underline{h(t)}$ , respectively. Such a homomorphism is a specialisation of Definition 4.20 in [BCM01].

For two nodes  $x$  and  $y$  we write  $x <_i y$  if either  $(x, y) \in F$  or  $x, y \in T$  and  $x^\bullet \cap \underline{y} \neq \emptyset$ . We write  $<$  for the transitive closure of  $<_i$ , and  $\leq$  for the reflexive closure of  $<$ . For a node  $x$ , we define its set of *causes* as  $[x] := \{t \in T \mid t \leq x\}$ . A set  $X \subseteq T$  is *causally closed* if  $[t] \subseteq X$  for all  $t \in X$ .

An *occurrence net* is a c-net  $O = \langle B, E, G, D, \tilde{m}_0 \rangle$  if (i)  $O$  is safe and for any  $b \in B$ , we have  $|\bullet b| \leq 1$ ; (ii)  $<$  is a strict partial order for  $O$ ; (iii) for all  $e \in E$ ,  $[e]$  is finite and  $\nearrow_{[e]}$  acyclic; (iv)  $\tilde{m}_0 = \{b \in B \mid \bullet b = \emptyset\}$ . As per tradition, we call the elements of  $B$  *conditions*, and those of  $E$  *events*. A *configuration* of  $O$  is a finite, causally closed set of events  $\mathcal{C}$  such that  $\nearrow_{\mathcal{C}}$  is acyclic;  $\text{Conf}(O)$  denotes the set of all configurations. For a configuration  $\mathcal{C}$ , let  $\text{cut}(\mathcal{C}) := (\tilde{m}_0 \cup \mathcal{C}^\bullet) \setminus \bullet \mathcal{C}$ . A *prefix* of  $O$  is a c-net  $\mathcal{P} = \langle B', E', G', D', \tilde{m}_0 \rangle$  such that  $E' \subseteq E$  is causally closed,  $B' = \tilde{m}_0 \cup E'^\bullet$ , and  $G'$  and  $D'$  are the restrictions of  $G$  and  $D$  to  $B' \cup E'$ ; in such a case we write  $\mathcal{P} \sqsubseteq O$ .

Fig. 5 shows an occurrence net illustrating why it is necessary to restrict configurations to sets without cycles in  $\nearrow$ . There are three events, and each pair of them can fire, but not all three. Indeed,  $e_1 \nearrow e_2 \nearrow e_3 \nearrow e_1$  is a cycle of asymmetric conflicts.

A *branching process* of  $N$  is a pair  $\mathcal{P} = \langle O, h \rangle$ , where  $O$  is an occurrence net and  $h$  is a

homomorphism from  $O$  to  $N$  with the property that  $h(e) = h(e') \wedge \bullet e = \bullet e' \wedge \underline{e} = \underline{e}'$  implies  $e = e'$  for all events  $e, e' \in O$ . For every  $N$ , there is a unique (up to isomorphism) maximal (wrt.  $\sqsubseteq$ ) branching process  $\mathcal{U}_N = \langle U, h' \rangle$  that we call the *unfolding* of  $N$  [BCKS08]. Thus, any branching processes  $\langle O, h \rangle$  is characterised by a prefix  $O$  of  $U$  and the restriction  $h$  of  $h'$  to the elements of  $O$ . For convenience, we shall often equate a branching process with its underlying net and call it an *unfolding prefix*. As usual, for  $\mathcal{C} \in \text{Conf}(\mathcal{U}_N)$ , we define  $\text{mark}(\mathcal{C}) := h(\text{cut}(\mathcal{C}))$ .

An unfolding prefix  $\mathcal{P}$  is called *marking-complete* if for any marking  $m$  reachable in  $N$  there exists a marking  $\tilde{m}$  reachable in  $\mathcal{P}$  with  $h(\tilde{m}) = m$ . For example,  $\mathcal{U}_N$  is marking-complete but in general infinite. For bounded  $N$ , it is however possible to compute a finite marking-complete prefix  $\mathcal{P}_N$  [BCKS08, RSB11].

The key notion in computing marking-complete prefixes is a *history*. Given a configuration  $\mathcal{C} \in \text{Conf}(U)$  and some event  $e \in \mathcal{C}$ , the *history of  $e$  in  $\mathcal{C}$*  is defined as  $\mathcal{C}[[e]] := \{ e' \in \mathcal{C} \mid e' \nearrow_{\mathcal{C}}^* e \}$ . For  $e \in E$ ,  $\text{Hist}(e) := \{ \mathcal{C}[[e]] \mid \mathcal{C} \in \text{Conf}(U) \}$  is the set of *all histories* of  $e$ . The construction of a complete prefix discovers events that do not contribute to reaching new markings of  $N$  in the prefix: an event  $e$  is declared *cutoff* if for every history  $H$  of  $e$  there exists a configuration  $\mathcal{C}$  in  $\mathcal{P}$  such that  $\text{mark}(\mathcal{C}) = \text{mark}(H)$  and  $\mathcal{C} \prec H$ , where  $\prec$  is a so-called *adequate order* on configurations.<sup>1</sup> The construction then excludes events that are causal successors of  $e$ , thereby ensuring the finiteness of  $\mathcal{P}$  while guaranteeing its marking-completeness: for every reachable marking  $m$  of  $N$  there is a configuration  $\mathcal{C}$  of  $\mathcal{P}$  such that  $\text{mark}(\mathcal{C}) = m$  and  $\mathcal{C}$  does not include any cutoffs.

### 3 Contextual Merged Processes

In this section, we introduce the notion of *contextual merged processes* (CMP) and discuss some of their properties. These results generalise those of [KKKV06], in particular it turns out that the notions of mp-configuration, defined in [KKKV06] for Petri nets, and the notion of a c-net configuration from [BCKS08], both of which introduce acyclicity constraints, can be seamlessly integrated into a common framework.

We first show that asymmetric conflict, causality, and steps are, among other notions, preserved by homomorphisms.

**Lemma 1.** *Let  $N$  and  $N'$  be c-nets, and  $h$  be a homomorphism from  $N$  to  $N'$ . If  $\langle m, t, \hat{m} \rangle$  is a step of  $N$  and  $h(m)$  is well-defined,<sup>2</sup> then*

$$\langle h(m), h(t), h(\hat{m}) \rangle \text{ is a step of } N'.$$

Furthermore, for any nodes  $x, y$  and transitions  $t, u$  of  $N$ ,

$$x < y \text{ implies } h(x) < h(y)$$

1. Actually, [BCKS08] defines pairs  $\langle e, H \rangle$  as cutoffs; above, we chose an equivalent presentation that will be more convenient for defining CMPs. Also, only histories are considered for  $\mathcal{C}$  in [BCKS08]; we come back to this point in Section 4.

2. That is,  $h(m)$  is a well-defined multiset.



and<sup>3</sup>

$t \nearrow u$  implies either  $h(t) \nearrow h(u)$  or  $h(t) = h(u)$ .

*Proof.* That c-net homomorphisms preserve steps, the first part of the Lemma, is already stated by Proposition 4.1 in [BCM01], since our definition of homomorphism is a specialisation of theirs – we enforce  $h$  to be total and  $h(p)$  is a place instead of a multiset of places. At any rate, the second part of our lemma is new, and what follows is a proof of both parts.

Let  $P, T$  be the places and transitions of  $N$  and likewise  $P', T'$  for  $N'$ . Let  $\langle m, t, \hat{m} \rangle$  be step of  $N$  such that  $m' := h(m)$  is a well-defined marking of  $N'$ . Let  $t' := h(t)$ .

We first show that  $t'$  is enabled at  $m'$ . Let  $p' \in \bullet t'$ . Because  $h$  restricted to  $\bullet t$  is a bijection between  $\bullet t$  and  $\bullet t'$ , there is a single  $p \in \bullet t$  such that  $h(p) = p'$ . Because  $t$  is enabled at  $m$ ,  $m(p) \geq 1$ . Recall that  $m'(p') = \sum_{\hat{p} \in h^{-1}(p')} m(\hat{p})$ . Then  $m'(p') \geq 1$  because  $p \in h^{-1}(p')$ . An analogous argument shows that  $m'(p') \geq 1$  if  $p' \in \underline{t}'$ .

Since  $t'$  is enabled at  $m'$ , let  $\langle m', t', \hat{m}' \rangle$  be a step of  $N'$ . We now show that  $h(\hat{m}) = \hat{m}'$ . For any  $p' \in P'$ , we show that  $h(\hat{m})(p') = \hat{m}'(p')$ . We make the following developments:

$$\begin{aligned} h(\hat{m})(p') &= \sum_{p \in h^{-1}(p')} \hat{m}(p) \\ &= \sum_{p \in h^{-1}(p')} (m(p) - |\{p\} \cap \bullet t| + |\{p\} \cap \underline{t}|) \\ &= \left( \sum_{p \in h^{-1}(p')} m(p) \right) - \left( \sum_{p \in h^{-1}(p')} |\{p\} \cap \bullet t| \right) + \left( \sum_{p \in h^{-1}(p')} |\{p\} \cap \underline{t}| \right) \\ &= \left( \sum_{p \in h^{-1}(p')} m(p) \right) - |h^{-1}(p') \cap \bullet t| + |h^{-1}(p') \cap \underline{t}| \end{aligned}$$

As for  $\hat{m}'(p')$ , we have:

$$\begin{aligned} \hat{m}'(p') &= h(m)(p') - |\{p'\} \cap \bullet t'| + |\{p'\} \cap \underline{t}'| \\ &= \left( \sum_{p \in h^{-1}(p')} m(p) \right) - |\{p'\} \cap \bullet t'| + |\{p'\} \cap \underline{t}'| \end{aligned}$$

Therefore, to show that  $h(\hat{m})(p') = \hat{m}'(p')$  it suffices to show that

$$|\{p'\} \cap \bullet t'| = |h^{-1}(p') \cap \bullet t|$$

and that

$$|\{p'\} \cap \underline{t}'| = |h^{-1}(p') \cap \underline{t}|.$$

Either  $p' \in \bullet t'$  holds or not. If it holds, there is a single  $p \in \bullet t$  such that  $h(p) = p'$ , since otherwise  $h$  restricted to  $\bullet t$  would not be a bijection between  $\bullet t$  and  $\bullet t'$ . Then  $|h^{-1}(p') \cap \bullet t| = 1$ . If  $p' \notin \bullet t'$ , then no  $p \in \bullet t$  is such that  $h(p) = p'$ , again because  $h$  is a homomorphism. Then  $|h^{-1}(p') \cap \bullet t| = 0$ . This proves that  $|\{p'\} \cap \bullet t'| = |h^{-1}(p') \cap \bullet t|$ ; an analogous argument shows that  $|\{p'\} \cap \underline{t}'| = |h^{-1}(p') \cap \underline{t}|$ .

3. In [RSK13], the fragment 'or  $h(t) = h(u)$ ' of the following statement was missing. This is inconsequential for any other result presented in [RSK13].

We now show why  $x <_i y$  implies  $h(x) <_i h(y)$ , for  $x, y \in P \cup T$ . That  $x < y$  implies  $h(x) < h(y)$  is basically a consequence of the previous fact. Three cases are possible:

- $x \in P$  and  $x \in \bullet y$ . Since  $y \in T$ , we know that  $h$  restricted to  $\bullet y$  is a bijection to  $\bullet h(y)$ . So  $h(x) \in \bullet h(y)$  and  $h(x) <_i h(y)$ .
- $x \in T$  and  $x \in \bullet y$ . Analogous.
- $x, y \in T$  and  $x \bullet \cap \underline{y} \neq \emptyset$ . Then let  $p \in x \bullet$  be such that  $p \in \underline{y}$ . Again,  $h(p)$  is in  $h(x) \bullet$  and in  $\underline{h(y)}$ , and so  $h(x) <_i h(y)$ .

We now show that  $t \nearrow u$  implies either  $h(t) \nearrow h(u)$  or  $h(t) = h(u)$ . Assume the hypothesis and assume that  $h(t) \neq h(u)$ , we show that  $h(t) \nearrow h(u)$ . Three cases are possible:

- $t \bullet \cap (\bullet u \cup \underline{u})$  contains some place  $p$ . Then, by the properties of homomorphisms,  $h(p)$  is contained in  $h(t) \bullet$ , and in  $\bullet h(u)$  or in  $\underline{h(u)}$ . In any case,  $h(t) \nearrow h(u)$ .
- $\underline{t} \cap \bullet u$  contains some place  $p$ . Analogous argument.
- $\bullet t \cap \bullet u$  contains some place  $p$ . Analogous argument. □

As usual, homomorphisms preserve runs and reachable markings: if  $\sigma$  is a run of  $N$  that reaches  $m$ , then  $h(\sigma)$  is a run of  $N'$  that reaches  $h(m)$ , because  $h(m_0) = m'_0$  is a well-defined marking and due to Lemma 1.

The first step to define CMPs is the notion of occurrence depth.

**Definition 1** (occurrence depth). *Let  $x$  be a node of a branching process  $\langle O, h \rangle$ . The occurrence depth of  $x$ , denoted  $\text{od}(x)$ , is the maximum number of  $h(x)$ -labelled nodes in any path in the directed graph  $(\tilde{m}_0 \cup [x] \cup [x] \bullet, <_i)$  starting at any initial condition and ending in  $x$ .*

Recall that the cone  $[x]$  is finite and  $<_i$  is a partial order, so there is only a finite number of paths to evaluate, and the definition is well-given.

A CMP is obtained from a branching process in two steps. First, all conditions that have the same label and occurrence depth are fused together (their initial markings are totalled); then all events that have the same label and environment (after fusing conditions) are merged. Conditions in the initial marking will have, by definition, occurrence depth 1. If  $n$  of them share the same label, they will be fused together, and the resulting condition will be initially marked with  $n$  tokens. This is formalised as follows:

**Definition 2** (Contextual Merged Process). *Let  $N = \langle P, T, F, C, m_0 \rangle$  be a c-net and let  $\mathcal{P} = \langle \langle B, E, G, D, \tilde{m}_0 \rangle, h \rangle$  be a branching process of  $N$ . Define a c-net  $\mathcal{Q} = \langle \widehat{B}, \widehat{E}, \widehat{G}, \widehat{D}, \widehat{m}_0 \rangle$ , where  $\widehat{B} \subseteq P \times \mathbb{N}$ ,  $\widehat{E} \subseteq T \times 2^{\widehat{B}} \times 2^{\widehat{B}} \times 2^{\widehat{B}}$ , and a homomorphism  $\mathfrak{h}$  from  $\mathcal{P}$  to  $\mathcal{Q}$  as follows:*

- for  $b \in B$ ,  $\mathfrak{h}(b) := \langle h(b), \text{od}(b) \rangle$ ; set  $\widehat{B} := \mathfrak{h}(B)$ ;
- for  $e \in E$ ,  $\mathfrak{h}(e) := \langle h(e), \mathfrak{h}(\bullet e), \mathfrak{h}(\underline{e}), \mathfrak{h}(e \bullet) \rangle$ ; set  $\widehat{E} := \mathfrak{h}(E)$ ;
- $\widehat{G}, \widehat{D}$  are such that for every  $\widehat{e} = \langle t, \text{Pre}, \text{Cont}, \text{Post} \rangle \in \widehat{E}$  we have  $\bullet \widehat{e} := \text{Pre}$ ,  $\underline{\widehat{e}} := \text{Cont}$ ,  $\widehat{e} \bullet := \text{Post}$ ;
- $\widehat{m}_0(\langle p, d \rangle) := |\tilde{m}_0 \cap \{ b \in B : h(b) = p, \text{od}(b) = d \}|$ .

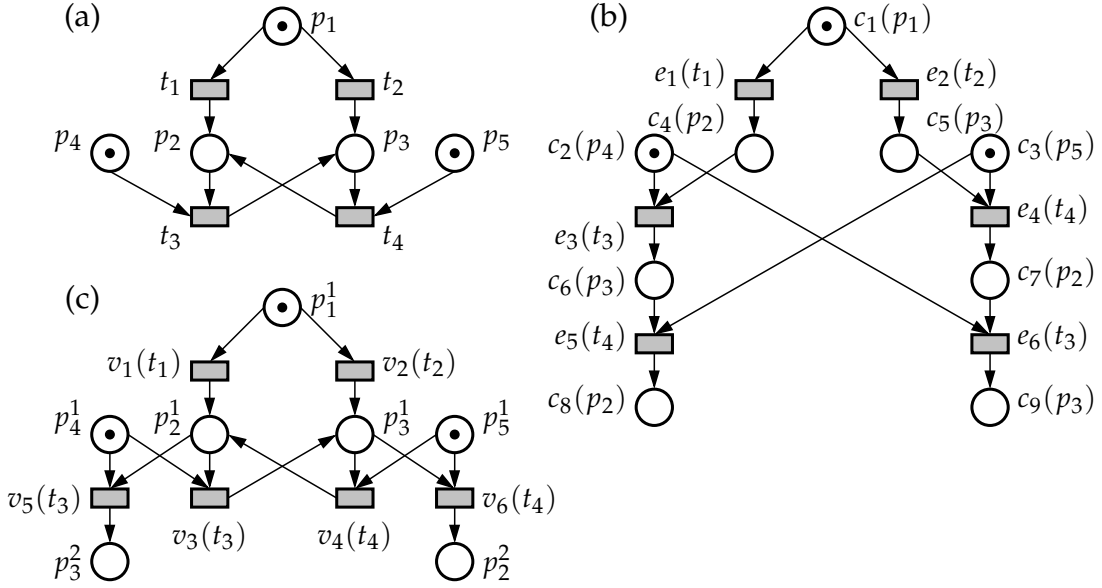


Figure 6: (a) A net; (b) its unfolding; (c) its unravelling.

Moreover, let  $\hat{h}$  be the homomorphism from  $\mathcal{Q}$  to  $N$  given by projecting the nodes of  $\mathcal{Q}$  to their first components. We call  $\mathfrak{Merge}(\mathcal{P}) := \langle \mathcal{Q}, \hat{h} \rangle$  the merged process of  $\mathcal{P}$ . The merged process  $\mathcal{M}_N := \mathfrak{Merge}(\mathcal{U}_N)$  of the unfolding of  $N$  is called the unravelling of  $N$ .

Fig. 6 shows a 1-safe net (taken from [KKKV06]), its unfolding, and its unravelling. For the rest of this section, let  $N = \langle P, T, F, C, m_0 \rangle$  be a bounded c-net,  $\mathcal{U}_N$  be its unfolding,  $\mathcal{P}_N = \langle \langle B, E, G, D, \tilde{m}_0 \rangle, h \rangle$  be a branching process of  $N$ , and  $\mathcal{Q}_N = \langle \langle \hat{E}, \hat{B}, \hat{G}, \hat{D}, \hat{m}_0 \rangle, \hat{h} \rangle$  be the corresponding merged process, i.e.  $\mathfrak{Merge}(\mathcal{P}_N)$ . The places of  $\mathcal{Q}_N$  are called *mp-conditions* and its transitions *mp-events*. We shall write  $p^d$  for an mp-condition  $\langle p, d \rangle$ . Note that  $\hat{m}_0(p^d)$  equals  $m_0(p)$  if  $d = 1$  and is 0 otherwise. An mp-event  $\hat{e}$  is an *mp-cutoff* if all events in  $\hat{h}^{-1}(\hat{e})$  are cutoffs. We denote these mp-events by  $\hat{E}_{\text{cut}}$ .

We call a run  $t_1 t_2 \dots$  of a c-net *repetition-free* if no transition occurs more than once in it. Some properties of contextual merged processes follow.

**Remark 1.** The following properties hold for CMPs or c-net unfoldings:

1. In general,  $\mathcal{M}_N$  is not acyclic; see Fig. 6 (c).
2. There can be mp-events consuming conditions in the postset of an mp-cutoff.
3. There is at most one mp-condition  $p^k$  resulting from fusing occurrences of place  $p$  at depth  $k \geq 1$ .
4. For two mp-conditions  $p^k$  and  $p^{k+1}$ , there is a directed path in the  $<_i$  relation from the former to the latter.
5. Two different conditions  $c_1$  and  $c_2$  having the same label and occurrence depth are not causally related. Hence, if the original c-net is safe, then  $\nearrow_{[c_1] \cup [c_2]}$  contains a cycle.
6.  $h = \hat{h} \circ \tilde{h}$ .

7.  $\mathfrak{h}$  and  $\widehat{h}$  are homomorphisms.

8. A sequence of transitions  $\sigma$  is a run of  $N$  iff there exists a run  $\widehat{\sigma}$  of  $\mathcal{M}_N$  such that  $\sigma = \widehat{h}(\widehat{\sigma})$ .

Additionally, if  $N$  is safe, we have:

9.  $\mathfrak{h}$  is injective when restricted to the events of a configuration.

10. Property 8 is true if we additionally require  $\widehat{\sigma}$  to be repetition-free.

*Proof.* Properties 1 and 2 are already true for merged processes of Petri nets; 3 and 4 are immediate after the definition.

5 If the original c-net is safe, and  $c_1, c_2$  have the same label and occurrence depth, then  $[c_1] \cup [c_2]$  is not a configuration, since otherwise they would be concurrent, producing two occurrences of the associated place (they cannot be causally related). Since  $[c_1] \cup [c_2]$  is finite, it contains a cycle in  $\nearrow$ .

6 Any mp-event inherits the label associated to the events that were merged to produce it, so for any  $e \in E$ , we have  $h(e) = \widehat{h}(\mathfrak{h}(e))$ .

7 By construction  $\mathfrak{h}(E) \subseteq \widehat{E}$ ,  $\mathfrak{h}(B) \subseteq \widehat{B}$ ,  $\widehat{h}(E) \subseteq T$ , and  $\widehat{h}(B) \subseteq P$ . Trivially  $\mathfrak{h}(\widehat{m}_0) = \widehat{m}_0$ , because the initial marking  $\widehat{m}_0(\widehat{c})$  of  $\widehat{c}$  is defined as the number of conditions  $c \in \mathfrak{h}^{-1}(\widehat{c})$ . Similarly,  $\widehat{h}(\widehat{m}_0) = m_0$ , because  $m_0 = h(\widehat{m}_0) = h(\mathfrak{h}(\widehat{m}_0)) = \widehat{h}(\widehat{m}_0)$ .

For the rest of the proof, let  $\widehat{e} \in \widehat{E}$  be an mp-event,  $e \in E$  any event such that  $\mathfrak{h}(e) = \widehat{e}$ , and  $t = h(e) = \widehat{h}(\widehat{e})$ .

We now show that  $\mathfrak{h}$  restricted to  $\bullet e$  is a bijection. Recall that  $\bullet \widehat{e}$  is defined as  $\mathfrak{h}(\bullet e)$ , so we only need to show that  $\mathfrak{h}$  restricted to  $\bullet e$  is injective. Let  $c, c' \in \bullet e$ . If  $c \neq c'$  then  $h(c) \neq h(c')$ , because  $h$  is a homomorphism. Then  $c$  and  $c'$  cannot be merged and  $\mathfrak{h}(c) \neq \mathfrak{h}(c')$ . Analogous arguments prove that  $\mathfrak{h}$  restricted to  $e \bullet$  or  $\underline{e}$  is also bijective.

Finally, we show that  $\widehat{h}$  restricted to  $\bullet \widehat{e}$  is bijective. The proof for  $\widehat{e} \bullet$  or  $\underline{\widehat{e}}$  is similar. Let  $\widehat{c}, \widehat{c}' \in \bullet \widehat{e}$ , and let  $c, c' \in \bullet e$  such that  $\mathfrak{h}(c) = \widehat{c}$  and  $\mathfrak{h}(c') = \widehat{c}'$ . Because  $h$  is a homomorphism,  $h(c) \neq h(c')$ . Then  $h(c) = \widehat{h}(\widehat{c}) \neq h(c') = \widehat{h}(\widehat{c}')$ . Hence  $\widehat{h}$  restricted to  $\bullet \widehat{e}$  is injective. To see why it is surjective, let  $p \in \bullet t$ . Again, because  $h$  is a homomorphism, there is a single  $c \in \bullet e$  such that  $h(c) = p$ . Let  $\widehat{c} = \mathfrak{h}(c)$ . Recall that  $h(c) = \widehat{h}(\widehat{c}) = p$ . Because  $\mathfrak{h}$  is a homomorphism,  $\widehat{c} \in \bullet \widehat{e}$ , and so  $\widehat{h}$  restricted to  $\bullet \widehat{e}$  is surjective.

8 For any run  $\widehat{\sigma}$  of  $\mathcal{M}_N$ ,  $\widehat{h}(\widehat{\sigma})$  is a run of  $N$ , by Lemma 1. For any run  $\sigma$  of  $N$ , there is, by the properties of  $\mathcal{U}_N$  (see [BCKS08]), a run  $\tilde{\sigma}$  in  $\mathcal{U}_N$  such that  $h(\tilde{\sigma}) = \sigma$ . Then  $\widehat{\sigma} := \mathfrak{h}(\tilde{\sigma})$  is a run of  $\mathcal{M}_N$  that satisfies  $\widehat{h}(\widehat{\sigma}) = h(\tilde{\sigma}) = \sigma$ .

9 Let  $\mathcal{C}$  be a configuration of  $\mathcal{P}_N$ . We prove that  $e \neq e'$  implies  $\mathfrak{h}(e) \neq \mathfrak{h}(e')$  for all  $e, e' \in \mathcal{C}$ . For an argument by contradiction, assume  $\mathfrak{h}(e) = \mathfrak{h}(e')$ . Events  $e$  and  $e'$  have been merged into the same mp-event, so  $h(e) = h(e')$ . Since  $e \neq e'$ , either  $\bullet e \neq \bullet e'$  or  $\underline{e} \neq \underline{e}'$ , which implies that there exists some  $c \in \bullet e \cup \underline{e}$  and  $c' \in \bullet e' \cup \underline{e}'$  such that  $c \neq c'$  but both  $c$  and  $c'$  are labelled by  $p$  and have occurrence depth  $k$ . By property 5,  $[c] \cup [c']$  contains a cycle in relation  $\nearrow$ , but  $[c] \cup [c'] \subseteq \mathcal{C}$ . This is a contradiction.

10 Any repetition-free run  $\widehat{\sigma}$  of  $\mathcal{M}_N$  is, by property 8, such that  $\widehat{h}(\widehat{\sigma})$  is a run of  $N$ . Now, let  $\sigma$  be a run of  $N$ . We know (cf. proof of property 8) that there is a run  $\tilde{\sigma}$  of  $\mathcal{U}_N$  with

$h(\tilde{\sigma}) = \sigma$  and that there is a run  $\hat{\sigma}$  of  $\mathcal{M}_N$  verifying  $\hat{h}(\tilde{\sigma}) = \hat{\sigma}$  and  $\hat{h}(\hat{\sigma}) = \sigma$ . We now prove that  $\hat{\sigma}$  is repetition-free. Recall that the set  $\{e \in E \mid e \text{ fires in } \tilde{\sigma}\}$  is a configuration of  $\mathcal{U}_N$ , and that  $\tilde{\sigma}$  is repetition-free. If  $\hat{\sigma}$  was not repetition-free, some mp-event  $\hat{e}$  would fire two times, implying that there is two different events  $e, e'$  that fire in  $\tilde{\sigma}$  such that  $\hat{h}(e) = \hat{h}(e')$ . This contradicts property 9.  $\square$

Note that Property 9 is still true when  $\hat{h}$  is restricted to the elements of  $\tilde{m}_0 \cup \mathcal{C} \cup \mathcal{C}^\bullet$ . Indeed,  $\hat{h}$  is bijective when restricted to  $\tilde{m}_0$ , because  $\hat{m}_0$  is safe, and two conditions  $c, c' \in \mathcal{C}^\bullet$  cannot be merged because  $\nearrow_{[c] \cup [c']}$  would have cycles and  $[c] \cup [c'] \subseteq \mathcal{C}$ .

**Definition 3** (mp-configuration). *A multiset of mp-events  $\hat{\mathcal{C}}$  is an mp-configuration of  $\mathcal{Q}_N$  if there exists a configuration  $\mathcal{C}$  of  $\mathcal{U}_N$  verifying  $\hat{h}(\mathcal{C}) = \hat{\mathcal{C}}$ .*

As it is the case for configurations of branching processes, any mp-configuration of a merged process represents a (concurrent) run of its mp-events, i.e. there exists at least one linear ordering of the mp-events of  $\hat{\mathcal{C}}$  that is a run of the merged process. This is because the same is true for configurations of the associated branching process and because  $\hat{h}$  is a homomorphism.

Every finite firing sequence of  $\mathcal{U}_N$  consists of a set of events that form a configuration  $\mathcal{C}$ , which, due to Definition 3, corresponds to an mp-configuration  $\hat{\mathcal{C}}$  of  $\mathcal{M}_N$ . However, the inverse statement is not true: a firing sequence of  $\mathcal{M}_N$  may consist of a multiset of events  $X$  that is not an mp-configuration since no  $\mathcal{C} \in \text{Conf}(\mathcal{U}_N)$  satisfies  $\hat{h}(\mathcal{C}) = X$ . This already holds for nets without read arcs, as the example in Fig. 6 shows:  $v_1v_5$  is a valid firing sequence of  $\mathcal{M}_N$  corresponding to events  $e_1$  and  $e_6$  of  $\mathcal{U}_N$  (i.e.  $\hat{h}(e_1) = v_1$  and  $\hat{h}(e_6) = v_5$ ) which do not form a configuration. However,  $\hat{h}$  applied to  $v_1v_5$  still gives a valid firing sequence  $t_1t_3$  of  $N$  thanks to Remark 1 (8). Below we formalise these observations.

**Definition 4** (marking-complete CMP). *Let  $X$  be a finite multiset of mp-events. The cut and marking of  $X$  are respectively defined as the multisets*

$$\begin{aligned} \text{cut}(X) &:= (\hat{m}_0 + X^\bullet) - \bullet X \\ \text{mark}(X) &:= \hat{h}(\text{cut}(X)). \end{aligned}$$

*We call  $\mathcal{Q}_N$  marking-complete if for each reachable marking  $m$  of  $N$  there exists a cutoff-free mp-configuration  $\hat{\mathcal{C}}$  in  $\mathcal{Q}_N$  satisfying  $\text{mark}(\hat{\mathcal{C}}) = m$ .*

The intuition behind these definitions is as follows. If  $X$  is the multiset of mp-events associated to a finite run (i.e. the multiset  $M$  such that  $M(\hat{e}) = n$  if  $\hat{e}$  fires  $n$  times) then  $\text{cut}(X)$  is the marking reached by this run in the CMP, and  $\text{mark}(X)$  is the  $\hat{h}$ -image of  $\text{cut}(X)$ , i.e. the corresponding marking of  $N$ .

Observe that in the definition of a marking-complete CMP, one could ask for a finite run (rather than a configuration) that reaches a marking  $m$ . The resulting definition would be equivalent, but we preferred the current variant because it (i) mimics the analogous definition for unfoldings and (ii) avoids some unpleasant properties of runs: e.g. finite CMPs can have infinite runs and therefore infinitely many finite runs, which is impossible for configurations.

We now focus on the practically relevant class of safe c-nets. Here, the mapping  $\hat{h}$  lifted to configurations establishes an injective correspondence between the configurations of the unfolding and the mp-configurations of the unravelling. For each mp-configuration  $\hat{C}$  there exists a *unique* configuration  $C$  such that  $\hat{C} = \hat{h}(C)$ .

We give, for safe nets, characterisations of sets of mp-events that correspond to reachable markings of  $N$  (Proposition 1) and to configurations of  $\mathcal{U}_N$  (Proposition 2). They serve to aid CMP-based model-checking, as well as the direct construction of CMPs, see Section 4. We note that the problem of generalising these approaches to bounded, but not safe, nets is still open even for merged processes without read arcs [KKKV06].

**Proposition 1.** *Let  $\mathcal{Q}_N$  be a marking-complete CMP of a safe c-net  $N$ . Then a marking  $m$  is reachable in  $N$  iff there exists a cutoff-free set  $X$  of mp-events of  $\mathcal{Q}_N$  satisfying:*

1.  $\forall \hat{e} \in X : \forall \hat{c} \in \bullet \hat{e} \cup \underline{\hat{e}} : (\hat{c} \in \hat{m}_0 \vee \exists \hat{e}' \in \bullet \hat{c} : \hat{e}' \in X)$ , and
2.  $\nearrow_X$  is acyclic, and
3.  $m = \text{mark}(X)$ .

*Proof.* Let  $m$  be a reachable marking of  $N$ . We prove the existence of such  $X$ . Since  $m$  is reachable in  $N$ , there exists a cutoff-free mp-configuration  $X$  of  $\mathcal{Q}_N$  such that  $\text{mark}(X) = m$ . So  $X$  satisfies condition 3. It also satisfies conditions 1 and 2 because they are the same as in Proposition 2 (see the proof).

To prove the opposite direction, let  $X$  be a set of mp-events satisfying the three conditions. We show that  $m$  is reachable. Because  $X$  satisfies 2, there exists a linear order  $\hat{e}_1, \dots, \hat{e}_n$  on the mp-events of  $X$  that is compatible with  $\nearrow$ , i.e., such that  $\hat{e}_i \nearrow \hat{e}_j$  implies  $i < j$  for all  $1 \leq i, j \leq n$ . We prove that such ordering is a run of  $\mathcal{Q}_N$ . In such case, condition 3 implies that  $\hat{m} = \text{cut}(X)$  is the marking reached by the run and  $m = \hat{h}(\hat{m})$  is a reachable marking of  $N$ , because  $\hat{h}$  is a homomorphism.

Consider  $\hat{e}_1$ . Condition 1 establishes that all  $\hat{c} \in \bullet \hat{e}_1 \cup \underline{\hat{e}_1}$  are initially marked or generated by some other mp-event in  $X$ . Because  $\hat{e}_1$  is  $\nearrow$ -minimal, no event  $\hat{e}_j$  satisfies  $\hat{e}_j < \hat{e}_1$ , so  $\hat{c}$  is initially marked and  $\hat{e}_1$  is enabled at the initial marking.

We now prove the following claim: if  $\hat{e}_1, \dots, \hat{e}_k$  is a run, then  $\hat{e}_1, \dots, \hat{e}_k, \hat{e}_{k+1}$  is a run too, for  $1 \leq k < n$ . Assume the hypothesis. Let  $\hat{C}_k := \{\hat{e}_1, \dots, \hat{e}_k\}$  and let  $\hat{m} := \text{cut}(\hat{C}_k)$  be the cut reached after firing  $\hat{e}_1, \dots, \hat{e}_k$ . We prove that any  $\hat{c} \in \bullet \hat{e}_{k+1} \cup \underline{\hat{e}_{k+1}}$  verifies  $\hat{c} \in \hat{m}$ . By condition 1, we know that  $\hat{c} \in \hat{m}_0$  or  $\hat{c} \in X^\bullet$ . Since any mp-event  $\hat{e}_j$  in the preset of  $\hat{c}$  is such that  $\hat{e}_j \nearrow \hat{e}_i$ , we know that  $\hat{e}_j \in \hat{C}_k$ , and  $\hat{c} \in \hat{C}_k^\bullet$ . So  $\hat{c} \in \hat{C}_k^\bullet \cup \hat{m}_0$ . It remains to prove that  $\hat{c} \notin \bullet \hat{C}_k$ . If this was not the case, then some  $\hat{e}_l \in \hat{C}_k$  would be such that  $\hat{c} \in \bullet \hat{e}_l$ , and also such that  $\hat{e}_i \nearrow \hat{e}_l$ , since either  $\bullet \hat{e}_i \cap \bullet \hat{e}_l \neq \emptyset$  or  $\underline{\hat{e}_i} \cap \bullet \hat{e}_l \neq \emptyset$ . But then  $i < l$ , and  $\hat{e}_l \notin \hat{C}_k$ , a contradiction.

So  $\hat{c} \in (\hat{C}_k^\bullet \cup \hat{m}_0) \setminus \bullet \hat{C}_k = \text{cut}(\hat{C}_k)$ , and  $\hat{e}_1, \dots, \hat{e}_k, \hat{e}_{k+1}$  is a run.  $\square$

Note that the conditions in Proposition 1 do not ensure that  $X$  is an mp-configuration; however, they do guarantee that  $X$  corresponds to a repetition-free run of  $\mathcal{Q}_N$ , and thus are sufficient to check reachability (see the comment before Definition 4 for an example). Finally, observe that not every repetition-free run satisfies the first two conditions of Proposition 1:  $v_1 v_3 v_4$  is a repetition-free run of Fig. 6 but  $\{v_1, v_3, v_4\}$  violates the second condition. This

means that Proposition 1 characterizes a strict subset of repetition-free runs that are enough for representing *all* reachable markings of  $N$ .

**Proposition 2.** *If  $N$  is safe, a set of mp-events  $\widehat{\mathcal{C}}$  is an mp-configuration of  $\mathcal{Q}_N$  iff it satisfies the following conditions:*

1.  $\forall \widehat{e} \in \widehat{\mathcal{C}} : \forall \widehat{c} \in \bullet \widehat{e} \cup \widehat{e} : (\widehat{c} \in \widehat{m}_0 \vee \exists \widehat{e}' \in \bullet \widehat{c} : \widehat{e}' \in \widehat{\mathcal{C}})$ , and
2.  $\nearrow_{\widehat{\mathcal{C}}}$  is acyclic, and
3. for  $k \geq 1$ ,  $p^{k+1} \in \widehat{\mathcal{C}}^\bullet$  implies  $p^k \in \widehat{m}_0 \cup \widehat{\mathcal{C}}^\bullet$  and there exists a path in the directed graph  $(\widehat{m}_0 \cup \widehat{\mathcal{C}} \cup \widehat{\mathcal{C}}^\bullet, <_i)$  between  $p^k$  and  $p^{k+1}$ .

*Proof.* Assume that  $\widehat{\mathcal{C}}$  is an mp-configuration. We prove it satisfies all the three conditions. Let  $\mathcal{C}$  be the such that  $\mathfrak{h}(\mathcal{C}) = \widehat{\mathcal{C}}$ . Note that  $\widehat{m}_0$ ,  $\widehat{\mathcal{C}}$ , and  $\widehat{\mathcal{C}}^\bullet$  are sets rather than general multisets, essentially because  $N$  is safe and  $\mathfrak{h}$  restricted to  $\mathcal{C}$  is injective.

1. Since  $\widehat{\mathcal{C}}$  is an mp-configuration, there exists a linear order  $\widehat{e}_1, \dots, \widehat{e}_n$  on the mp-events of  $\widehat{\mathcal{C}}$  that is a run of  $\mathcal{Q}_N$ . Let  $\widehat{e}_i$  be any mp-event of  $\widehat{\mathcal{C}}$ , and let  $\widehat{c} \in \bullet \widehat{e}_i \cup \widehat{e}_i$  be any mp-condition on its preset or context. We prove that either  $\widehat{c} \in \widehat{m}_0$  or  $\bullet \widehat{c} \cap \widehat{\mathcal{C}} \neq \emptyset$ . This is trivially true for  $\widehat{e}_1$ , since it is enabled at the initial marking, so assume that  $i \geq 2$ . The sequence  $\widehat{e}_1, \dots, \widehat{e}_{i-1}$  is a run. Let  $\widehat{m}$  be the marking it reaches. Then  $\widehat{e}_i$  is enabled at  $\widehat{m}$ , so  $\widehat{c} \in \widehat{m}$ . So either  $\widehat{c}$  is initially marked or there is some mp-event  $\widehat{e}_j \in \widehat{\mathcal{C}}$ ,  $1 \leq j < i$ , such that  $\widehat{e}_j \in \bullet \widehat{c}$ , which is what we wanted to prove.
2. Since  $\mathfrak{h}$  restricted to  $\mathcal{C}$  is injective,  $\mathfrak{h}^{-1}$  restricted to  $\widehat{\mathcal{C}}$  is an injective function; furthermore, it is a homomorphism. The absence of cycles in  $\nearrow_{\widehat{\mathcal{C}}}$  follows from the properties of homomorphisms. Specifically, if, by contradiction, it was possible to find a cycle  $\widehat{e}_1 \nearrow \dots \nearrow \widehat{e}_n \nearrow \widehat{e}_1$  in  $\widehat{\mathcal{C}}$ , then we could also find the cycle  $\mathfrak{h}^{-1}(\widehat{e}_1) \nearrow \dots \nearrow \mathfrak{h}^{-1}(\widehat{e}_n) \nearrow \mathfrak{h}^{-1}(\widehat{e}_1)$  in  $\mathcal{C}$  by Lemma 1.
3. Finally, condition 3 holds as a consequence of the properties of  $\mathfrak{h}$ . Assume that  $p^{k+1} \in \widehat{\mathcal{C}}^\bullet$ , and let  $c \in B$  be the single condition in  $\widehat{m}_0 \cup \mathcal{C}^\bullet$  such that  $\mathfrak{h}(c) = p^{k+1}$ . Condition  $c$  exists and is unique by (9) in Remark 1. Since  $c$  has occurrence depth  $k+1$ , there exists  $c'$  with occurrence depth  $k$  and label  $p$ , such that  $c' < c$ , and therefore  $c' \in \widehat{m}_0 \cup \mathcal{C}^\bullet$ . Then  $\mathfrak{h}(c') = p^k$ , and  $p^k \in \widehat{m}_0 \cup \widehat{\mathcal{C}}^\bullet$ . Let  $e_1, \dots, e_l$  be events verifying  $c' <_i e_1$ ,  $e_1 <_i c$ , and  $e_i^\bullet \cap (\bullet e_{i+1} \cup \overline{e_{i+1}}) \neq \emptyset$  for  $1 \leq i < l$ . They exist because  $c' < c$ , and they identify a path from  $c'$  to  $c$  in  $(\widehat{m}_0 \cup \mathcal{C} \cup \mathcal{C}^\bullet, <_i)$ , that  $\mathfrak{h}$  maps to a path identified by  $\mathfrak{h}(e_1), \dots, \mathfrak{h}(e_l)$  from  $p^k$  and  $p^{k+1}$  in  $(\widehat{m}_0 \cup \widehat{\mathcal{C}} \cup \widehat{\mathcal{C}}^\bullet, <_i)$ .

We now prove by induction the opposite direction. Let  $\widehat{\mathcal{C}}$  be a set of mp-events satisfying the three conditions. We show that it is an mp-configuration.

*Base Case.*  $\widehat{\mathcal{C}} = \emptyset$ . Clearly,  $\emptyset$  is a configuration of  $\mathcal{U}_N$ , and  $\mathfrak{h}(\emptyset) = \emptyset$ .

*Inductive Case.* Assume that the statement is true if  $\widehat{\mathcal{C}}$  has at most  $n \geq 0$  mp-events, and let  $\widehat{\mathcal{C}}$  be a set of  $n+1$  mp-events. Let  $\widehat{e}$  be any  $\nearrow$ -maximal mp-event in  $\widehat{\mathcal{C}}$ , which exists because  $\nearrow$  is acyclic, and let  $\widehat{\mathcal{C}}' := \widehat{\mathcal{C}} \setminus \{\widehat{e}\}$ . Recall that no mp-event  $\widehat{e}' \in \widehat{\mathcal{C}}'$  satisfies  $\widehat{e} < \widehat{e}'$  because  $\widehat{e}$  is  $\nearrow$ -maximal. We prove that  $\widehat{\mathcal{C}}'$  satisfies all the three conditions above.

1. Assume that  $\widehat{\mathcal{C}}'$  violates condition 1. Then there exists some  $\widehat{e}' \in \widehat{\mathcal{C}}'$  such that  $\widehat{e}^\bullet \cap (\bullet \widehat{e}' \cup \widehat{e}') \neq \emptyset$ . But this is not possible because  $\widehat{e} < \widehat{e}'$ , a contradiction.
2. Trivially,  $\nearrow$  is acyclic in  $\widehat{\mathcal{C}}'$ , it already was in  $\widehat{\mathcal{C}}$ .
3. For some  $k \geq 0$  and place  $\widehat{p} \in P$ , assume that  $p^{k+1} \in \widehat{\mathcal{C}}'^\bullet$  but  $p^k \notin \widehat{m}_0 \cup \widehat{\mathcal{C}}'^\bullet$ . Then  $p^k \in \widehat{e}^\bullet$  because  $p^k \in \widehat{m}_0 \cup \widehat{\mathcal{C}}'^\bullet$ . There is a path in  $(\widehat{m}_0 \cup \widehat{\mathcal{C}}' \cup \widehat{\mathcal{C}}'^\bullet, <_i)$  from  $p^k$  to  $p^{k+1}$ , so there exists some  $\widehat{e}' \in \widehat{\mathcal{C}}$  with  $p^k < \widehat{e}' < p^{k+1}$ . But then,  $\widehat{e} < \widehat{e}'$ , a contradiction, so  $p^k \in \widehat{\mathcal{C}}'^\bullet$ . To prove that there is a path in  $(\widehat{m}_0 \cup \widehat{\mathcal{C}}' \cup \widehat{\mathcal{C}}'^\bullet, <_i)$  from  $p^k$  to  $p^{k+1}$ , let  $\widehat{e}_1, \dots, \widehat{e}_l \in \widehat{\mathcal{C}}$  be mp-events satisfying  $p^k <_i \widehat{e}_1 < \dots < \widehat{e}_l <_i p^{k+1}$ , and  $\widehat{e}_i^\bullet \cap (\bullet \widehat{e}_{i+1} \cap \widehat{e}_{i+1}) \neq \emptyset$  for  $1 \leq i < l$  and for some  $l \geq 1$ . We prove that  $\widehat{e} \neq \widehat{e}_i$ , for any  $1 \leq i \leq l$ , and therefore  $\widehat{e}_i \in \widehat{\mathcal{C}}'$ . Obviously  $\widehat{e} \neq \widehat{e}_i$  for  $1 \leq i < l$ , since  $\widehat{e}_{i+1} \in \widehat{\mathcal{C}}$  is such that  $\widehat{e} < \widehat{e}_{i+1}$ . So we only have to check that  $\widehat{e} \neq \widehat{e}_l$ . Assume, for a proof by contradiction, that  $e = \widehat{e}_l$ . Then,  $p^{k+1} \in \widehat{e}^\bullet$ . Since  $p^{k+1} \in \widehat{\mathcal{C}}'^\bullet$ , by assumption, and  $\widehat{e} \notin \widehat{\mathcal{C}}'$ , by definition, there is some  $\widehat{e}' \in \widehat{\mathcal{C}}'$  such that  $p^{k+1} \in \widehat{e}'^\bullet$ . So  $p^{k+1}$  has at least two different mp-events in its preset. Because  $\widehat{\mathcal{C}}$  satisfies conditions 1 and 2, all its mp-events can be ordered to form a run (see proof of Proposition 1). Then, since  $N$  is safe, there exists some mp-event  $\widehat{e}'' \in \widehat{\mathcal{C}}$  that consumes  $p^{k+1}$ . Such  $\widehat{e}''$  is different than  $\widehat{e}$  because  $\nearrow_{\widehat{\mathcal{C}}}$  is acyclic, and therefore  $\widehat{e}'' \in \widehat{\mathcal{C}}$  holds, a contradiction, because  $\widehat{e} < \widehat{e}''$  also holds.

Since  $\widehat{\mathcal{C}}'$  satisfies all the three conditions, by induction hypothesis, there exists some configuration  $\mathcal{C}'$  of  $\mathcal{U}_N$  such that  $\mathfrak{h}(\mathcal{C}') = \widehat{\mathcal{C}}'$ . In the sequel, we prove that there exists some event  $e$  enabled at  $\text{cut}(\mathcal{C}')$  such that  $\mathfrak{h}(e) = \widehat{e}$ , and therefore  $\mathfrak{h}(\mathcal{C}' \cup \{e\}) = \widehat{\mathcal{C}}' \cup \{\widehat{e}\} = \widehat{\mathcal{C}}$ . Then  $\widehat{\mathcal{C}}$  is an mp-configuration because  $\mathcal{C}' \cup \{e\}$  is a configuration.

Let  $m := \text{cut}(\mathcal{C}')$  be the cut of  $\mathcal{C}'$ , and  $\widehat{m} := \text{cut}(\widehat{\mathcal{C}}')$  be the cut of  $\widehat{\mathcal{C}}'$ . Recall that  $\mathfrak{h}(m) = \widehat{m}$ , because  $\mathfrak{h}$  is a homomorphism. The mp-event  $\widehat{e}$  is enabled at  $\widehat{m}$ , because  $\widehat{\mathcal{C}}$  satisfies conditions 1 and 2 and  $\widehat{e} \in \widehat{\mathcal{C}}$ . Then some transition  $\widehat{h}(\widehat{e})$  is enabled at the marking  $\widehat{h}(\widehat{m}) = \mathfrak{h}(m)$  of  $N$ , and therefore, some event  $e$  exists in  $\mathcal{U}_N$  such that  $h(e) = \widehat{h}(\widehat{e})$ . Note that  $e$  is unique, by definition of  $\mathcal{U}_N$ . We now show that  $\mathfrak{h}(\bullet e) = \bullet \widehat{e}$ , and  $\mathfrak{h}(\underline{e}) = \underline{\widehat{e}}$ , and  $\mathfrak{h}(e^\bullet) = \widehat{e}^\bullet$ , which implies that  $\mathfrak{h}(e) = \widehat{e}$ .

- We prove that  $\mathfrak{h}(\bullet e) = \bullet \widehat{e}$ ; the case for  $\mathfrak{h}(\underline{e}) = \underline{\widehat{e}}$  is analogous. Let  $c \in \bullet e$  be a condition in the preset of  $e$ . We show that  $\mathfrak{h}(c) \in \bullet \widehat{e}$ . Since  $e$  is enabled at  $m$ , then  $c \in m$ , and  $\mathfrak{h}(c) := p^k \in \widehat{m}$ . Since  $h(e) = \widehat{h}(\widehat{e})$ , there exists some mp-condition  $p^{k'} \in \bullet \widehat{e}$ . Also,  $p^{k'} \in \widehat{m}$ , because  $\widehat{e}$  is enabled at  $\widehat{m}$ . But  $p^k = p^{k'}$ , since otherwise  $\widehat{h}(\widehat{m})$  would not be safe. This proves that  $\mathfrak{h}(\bullet e) \subseteq \bullet \widehat{e}$ . Recall that  $|\bullet e| = |\bullet \widehat{e}|$ , so necessarily  $\mathfrak{h}(\bullet e) = \bullet \widehat{e}$ .
- We prove that  $\mathfrak{h}(e^\bullet) = \widehat{e}^\bullet$ . Since  $|e^\bullet| = |\widehat{e}^\bullet|$ , because  $h(e) = \widehat{h}(\widehat{e})$ , and since  $\mathfrak{h}$  is injective when restricted to  $e^\bullet$ , we only need to prove that  $\mathfrak{h}(e^\bullet) \subseteq \widehat{e}^\bullet$ . Let  $c \in e^\bullet$  be such that  $\mathfrak{h}(c) = p^k$ . We know that some mp-condition  $p^{k'}$  is present in  $\widehat{e}^\bullet$ . We prove that (1)  $k \geq k'$  and (2)  $k' \geq k$ , and therefore  $k = k'$ .
  1. Because  $\widehat{\mathcal{C}}$  satisfies condition 3, there is a path  $\widehat{\sigma}$  in the directed graph  $(\widehat{m}_0 \cup \widehat{\mathcal{C}} \cup \widehat{\mathcal{C}}'^\bullet, <_i)$  from some initial condition to  $p^{k'}$  that visits  $p^1, \dots, p^{k'}$ . The last two elements of  $\widehat{\sigma}$  are  $\widehat{e}$  and  $p^{k'}$ , and when removed from  $\widehat{\sigma}$ , the resulting path  $\widehat{\sigma}'$  is also a path in the graph  $(\widehat{m}_0 \cup \widehat{\mathcal{C}}' \cup \widehat{\mathcal{C}}'^\bullet, <_i)$ . Since  $\mathcal{C}'$  is a configuration,  $\mathfrak{h}$  restricted to it is a bijection from  $\mathcal{C}'$  to  $\widehat{\mathcal{C}}'$ , and therefore  $\sigma' := \mathfrak{h}^{-1}(\widehat{\sigma}')$ , where  $\mathfrak{h}^{-1}$  denotes now



the inverse of such restriction, is a path in the graph  $(\tilde{m}_0 \cup \mathcal{C}' \cup \mathcal{C}^\bullet, <_i)$  from some initial condition of  $m_0$  to some element of  $\bullet(e \cup \underline{e})$ . But this means that  $\sigma'$  followed by  $e, c$  is a path in  $(\tilde{m}_0 \cup [c] \cup [c]^\bullet, <_i)$  from the initial conditions to  $c$  where at least  $k'$  occurrences of  $p$  happen, so the occurrence depth of  $c$  is at least  $k'$ , and thus  $k \geq k'$ .

2. For an argument by contradiction, assume that  $k > k'$ , and that therefore some condition  $c' < e$  is such that  $\tilde{h}(c') = p^{k'}$ . Then  $p^{k'} < \hat{e} < p^{k'}$  because  $\hat{\mathcal{C}}$  satisfies condition 3. This is a contradiction.  $\square$

A key detail in both results is that acyclicity of  $\nearrow$  prohibits, at the same time, asymmetric conflicts inherent to c-net unfoldings (Fig. 5) and cycles in the flow relation introduced by merging (Fig. 6 (c)).

## 4 Computing and Analysing Complete CMPs

In this section, we discuss various algorithmic aspects of CMPs, in particular how to construct a complete CMPs from a given *safe* Petri net  $N$ , and how to use the resulting CMP to check properties of  $N$ .

### 4.1 CMP Construction

Recall that a marking-complete CMP is one in which every reachable marking  $m$  of  $N$  is the image (through  $\tilde{h}$ ) of the cut of some cutoff-free mp-configuration. We wish to construct such a CMP in order to analyse properties of  $N$  such as reachability or deadlock.

*Indirect Methods.* It follows from Section 3 that one can achieve this goal by (i) constructing a marking-complete unfolding prefix  $\mathcal{P}$  and (ii) applying the construction from Definition 2 to  $\mathcal{P}$ . Available options for step (i) are:

1. Directly construct  $\mathcal{P}$  from  $N$ . This approach is implemented in the tool CUNF [Rod], which is based on the results from [RSB11].
2. Replace all read arcs by consume-produce loops (cf. Fig. 2 (b)) and unfold the resulting Petri net using, e.g., the tool PUNF [Kho], obtaining some complete prefix  $\mathcal{P}'$ . We then apply a “folding” operation to  $\mathcal{P}'$  in which we repeatedly carry out the following steps: (i) all conditions that were created due to a consume-produce loop are merged and their flow arcs replaced by a read arc; (ii) all events with the same label and the same preset after (i) are merged, and so are their postsets. The resulting c-net prefix  $\mathcal{P}$  has the same reachable markings as  $\mathcal{P}'$  and is therefore marking-complete. Indeed, applying this operation to the prefix in Fig. 3 (b), which is the unfolding of Fig. 2 (b), would yield the c-net unfolding from Fig. 3 (a).
3. A similar approach as before, but using the place-replication (PR) encoding and adapting the folding operation accordingly (see Fig. 2 (c) and Fig. 3 (c)).

While the first approach is usually more efficient than the others [RSB11], certain aspects of the currently available tool support make options 2 and 3 interesting for the purposes of comparing the resulting CMP sizes. For instance, as pointed out in Footnote 1, CUNF declares a pair  $\langle e, H \rangle$ , where  $H$  is a history of  $e$ , a cutoff if it finds another pair  $\langle e', H' \rangle$  with  $\text{mark}(H') = \text{mark}(H)$  and  $H' \prec H$ ; this was motivated by the approach from Petri net unfolding [ERV02], where an event is declared cutoff if its local configuration leads to the same marking as the local configuration of another event. However, PUNF implements an approach for Petri nets in which more general configurations are considered for the role of  $H'$  [Hel99b], leading to smaller unfolding sizes.

*Direct Method.* Another option is to construct a CMP directly from the c-net  $N$ . A similar approach for nets without read arcs was presented in [KM11]. No such implementation currently exists for CMPs; in the following we describe some key elements that are required for extending [KM11] to CMPs.

A procedure for directly constructing the CMP would start with a CMP containing only the mp-conditions that represent the initial marking of  $N$  and extend it one mp-event at a time. To know whether the current CMP  $\mathcal{Q}$  can be extended by an mp-event  $\hat{e}$ , one has to identify an mp-configuration  $\hat{C}$  of  $\mathcal{Q}$  and check (i) whether  $\hat{C} \cup \{\hat{e}\}$  is an mp-configuration of  $\mathcal{M}_N$  and (ii) whether  $\hat{e}$  constitutes a cutoff.

Problem (i) can be formulated as a variant of the model-checking algorithm based on Proposition 2 that can be encoded in SAT, see Section 4.2. For (ii), observe that an mp-configuration  $\hat{H}$  corresponds to some history  $H$  of an event  $e$  of  $\mathcal{U}_N$  with  $\hat{h}(e) = \hat{e}$  iff  $\hat{e}$  is the maximal element of the relation  $\nearrow_{\hat{H}}$ . The problem then corresponds to asking whether for all such  $\hat{H}$  there exists another mp-configuration  $\hat{C}$  such that  $\text{mark}(\hat{C}) = \text{mark}(\hat{H})$  and  $\hat{C} \prec \hat{H}$ . For  $\hat{C}, \hat{H}$  in  $\mathcal{Q}$ , this problem can be encoded in 2QBF, which is more complicated than SAT but less so than QBF in general, and for which specialised solutions exist [RTM04].

However, as  $\mathcal{Q}$  grows, the number of possible candidates for  $\hat{H}$  may increase. In general  $\hat{e}$  cannot be designated a cutoff until the construction has been terminated, instead the possibility of adding  $\hat{e}$  may have to be re-checked periodically.

To summarise, the basic structure of the algorithm from [KM11] would remain unchanged, however one needs to use the characterisation 2 of mp-configurations rather than the non-contextual one in [KM11].

## 4.2 Model Checking CMPs

Let  $\mathcal{Q}$  be a CMP. We briefly discuss a possible encoding for runs and mp-configurations of  $\mathcal{Q}$  into SAT, using Propositions 1 and 2. Note that [KKKV06] discusses the corresponding problems for non-contextual MPs and [RS12] for contextual unfoldings. Remarkably, both problems require to encode acyclicity for different purposes, which are united into a single acyclicity constraint in our case.

Proposition 1 says that every reachable marking  $m$  of  $N$  is represented by some  $\nearrow$ -acyclic run  $X$  of  $\mathcal{Q}$ . Reachability of  $m$  reduces, then, to the satisfiability of a SAT formula that has variables  $c, e, p$  for mp-conditions, mp-events, and places, respectively, such that  $e$  is true iff  $\hat{e} \in X$ ,  $c$  iff  $\hat{c} \in \text{cut}(X)$  and  $p$  iff  $p \in \text{mark}(X)$ .

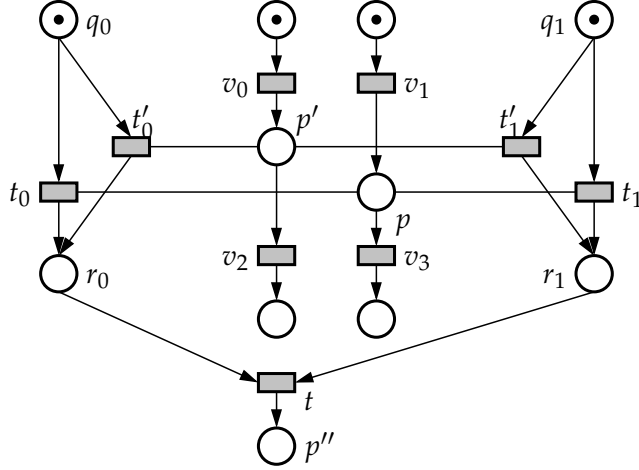


Figure 7: The c-net 2-GEN.

Condition 1 of Proposition 1 demands that every event needs a causal predecessor for all non-initial mp-conditions in its preset or context. Condition 3 imposes that the variables for mp-conditions and places be correctly related and that the place variables correspond to  $m$ . Both these conditions can easily be encoded in linear size wrt.  $|\mathcal{Q}|$ . For the acyclicity constraint (Condition 2) there are multiple encodings of polynomial size. We refer the reader to [KKKV06, RS12], where such encodings are discussed and experimentally evaluated.

Proposition 2, used for constructing CMPs, differs from Proposition 1 in having a more restrictive third condition. This constraint and its encoding is very similar to the “no-gap” constraint from [KKKV06] to which we refer the reader for details.

## 5 Experiments and Case Studies

In this section, we experimentally<sup>4</sup> compare the sizes of CMPs, MPs, and unfoldings for a number of families of c-nets. In Section 5.1, we discuss an artificial family of examples that allows one to study the effects of read arcs and choice for the various methods in isolation. Section 5.2 presents a case study on Dijkstra’s mutual exclusion protocol. Finally, Section 5.3 shows how our methods behave on assorted practical benchmarks.

### 5.1 Interplay Between Read-Arcs and Choice

We study a family of c-net examples called  $n$ -GEN, shown for  $n = 2$  in Fig. 7. The net represents  $n$  processes that concurrently generate resources  $r_i$ . Once all  $r_i$ s are produced, an action  $t$  consumes them all. Resource  $r_i$  can be produced if one of two conditions is fulfilled, symbolised by transitions  $t_i$  or  $t'_i$ . Thus,  $t_i, t'_i$  share context with transitions  $t_j$  and  $t'_j$ , respectively, whenever  $j \neq i$ .

4. All the benchmarks and tools referenced in this section are publicly available from <http://www.lsv.ens-cachan.fr/~rodriguez/experiments/pn2013/>.

Table 1: Growth of unfoldings and MPs of the  $n$ -GEN c-nets and their encodings.

Merged Processes			Unfoldings		
Ctx	Plain	PR	Ctx	Plain	PR
$\mathcal{O}(n)$	$\mathcal{O}(n^2)$	$\mathcal{O}(2^n)$	$\mathcal{O}(2^n)$	$\mathcal{O}(2^n)$	$\mathcal{O}(2^n)$

For some  $n \geq 1$ , let  $N_c$  be the c-net  $n$ -GEN,  $N_p$  its plain encoding, and  $N_r$  its PR encoding. The unfoldings of the three nets and the MPs of  $N_p$  and  $N_r$  blow up due to at least one of the following reasons, which we explain in the sequel: (1) choices between  $t_i$  and  $t'_i$  or (2) sequentialised read access to  $p$  and  $p'$ .

For (1), notice that process  $i$  can produce  $r_i$  in two different ways. At least two occurrences of each  $r_i$  are thus present in the unfolding of any of the three nets. Hence there are at least  $2^n$  ways of choosing  $t$ 's preset, i.e. at least  $2^n$  occurrences of  $t$  and  $p''$  in any of the three unfoldings.

Roughly speaking, (2) refers to the same phenomena that were demonstrated in Fig. 2 and Fig. 3. While all  $t_i$  are concurrent in  $N_c$ , they are sequentialised in  $N_p$ : they all consume and produce the same  $p$ . This creates conflicts between them, and as a result all their exponentially many interleavings are explicitly present in  $\mathcal{U}_{N_p}$ . Importantly, any occurrence of  $t_i$  that consumes an occurrence of  $p$  at depth  $d$ , produces an occurrence of  $p$  at depth  $d + 1$ .

In  $N_r$ , even if all  $t_i$  are still concurrent to each other, their occurrences produce two conditions with occurrence depths 1 and 2, each labelled by their respective private copy of  $p$ . For  $\mathcal{U}_{N_r}$ , this again has the consequence of producing  $2^n$  ways of choosing  $v_3$ 's preset, and  $2^n$  events labelled by  $v_3$ . More importantly, the private copies of  $t_i$  cannot be merged with those of  $t_j$  and they remain in  $\mathcal{Q}_{N_r}$ . As a result, all  $2^n$  occurrences of  $v_3$  are also present in the MP of  $N_r$ . This suggests that MPs of PR unfoldings may not yield, in general, much gain.

While the size of the contextual unfolding of  $N_c$  explodes due to (1), it is unaffected by (2). On the other hand, the MP of  $N_p$  effectively deals with (1), but only partially with (2). We now see why. Notice that there are  $\mathcal{O}(2^n)$  conditions labelled by  $p$  in  $\mathcal{U}_{N_p}$ , all with occurrence depths between 1 and  $n + 1$ . In the MP, they are merged into the  $n + 1$  mp-conditions  $p^1, \dots, p^{n+1}$ . Since all instances of  $q_i$  and  $r_i$  have occurrence-depth 1, all the exponentially many events labelled by  $t_i$  are merged into  $n$  mp-events, each consuming some  $p^j$  and producing  $p^{j+1}$ , for  $1 \leq j \leq n$ . This yields an MP of size  $\mathcal{O}(n^2)$ .

Finally, the CMP of  $N_c$  deals effectively with both (1) and (2); it is, in fact, isomorphic to  $N$ . Roughly speaking, this is because the unfolding of  $N_c$  already deals with (2), as we said, and the 'merging' solves (1). Thus, the CMP is polynomially more compact than the MP of  $N_p$  and exponentially more than the MP of  $N_r$ , or the unfoldings of  $N_c$ ,  $N_p$ , or  $N_r$ . See Table 1 for a summary.

While this example in itself is artificial, the underlying structures are quite simple and commonly occur in more complex c-nets, which explains some of the experimental results below.

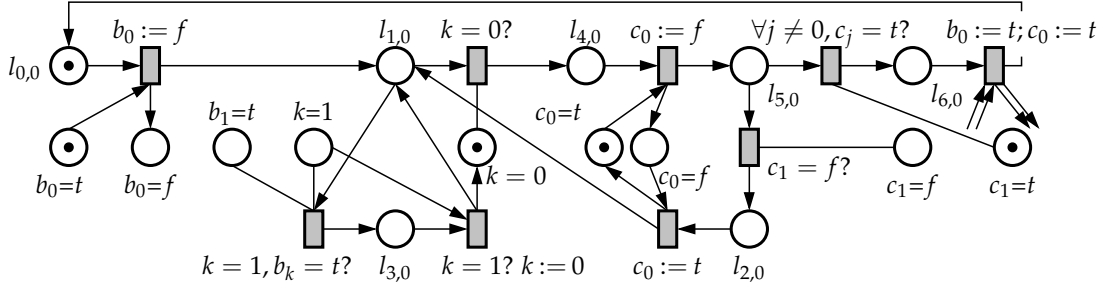


Figure 8: The fragment of 2-DIJKSTRA that encodes thread 0. Note that arrows from transition  $b_0 := t; c_0 := t$  are only partially depicted.

## 5.2 Dijkstra's Mutual Exclusion Algorithm

In this section we analyse the performance of CMPs on a well-known concurrent algorithm for mutual exclusion due to Dijkstra [Dij65]. What follows is a condensed technical explanation of the algorithm, see [Dij65] for more details.

Dijkstra's algorithm allows  $n$  threads to ensure that no two of them are simultaneously in a critical section. Two Boolean arrays  $b$  and  $c$  of size  $n$ , and one integer variable  $k$ , satisfying  $1 \leq k \leq n$ , are employed. All the entries of both arrays are initialised to *true*, and  $k$ 's initial value is irrelevant. All threads use the same algorithm, which runs in two phases. During the first, thread  $i$  sets  $b[i] := \text{false}$ , and repeatedly checks the value of  $b[k]$ , setting  $k := i$  if  $b[k]$  is true, until  $k = i$  holds. At this point, thread  $i$  starts phase 2, where it sets  $c[i] := \text{false}$ , and enters the critical section if  $c[j]$  holds for all  $j \neq i$ . If the check fails, it sets  $c[i] := \text{true}$  and restarts in phase 1. After the critical section,  $b[i]$  and  $c[i]$  are set to *true*. Note that more than one thread could pass phase 1, and phase 2 is thus necessary.

We encoded Dijkstra's algorithm into a c-net as follows. The entries of arrays  $b, c$  are represented by two places, e.g.  $b_i = t$  and  $b_i = f$ . Variable  $k$  is encoded by  $n$  places  $k=0, \dots, k=n-1$ . Places  $l_{0,i}, \dots, l_{6,i}$  encode thread  $i$ 's instruction pointer. Fig. 8 shows the fragment of 2-DIJKSTRA that encodes thread 0. Roughly, each transition encodes one instruction of the original algorithm [Dij65], updating the instruction pointer and the variables affected by the instruction. Transitions encoding conditional instructions, like  $k = 0?$ , or  $\forall j \neq 0, c_j = t?$  employ read arcs to the places coding the variables involved in the predicate.

MPs of  $n$ -DIJKSTRA, and in particular CMPs, exhibit a very good growth with respect to  $n$ . Table 2 shows the figures, obtained under the same setting as in Section 5.3. While all unfoldings are exponential in  $n$  and  $|T|$ , all the MPs are of polynomial size. The sizes of the plain and PR unfoldings seem to increase by a factor of 5 for each process added. The contextual unfolding reduces this factor down to 3. The plain and PR MPs seems to fit a polynomial curve of degree close to 3. The CMP seems to grow linearly with  $n^2$ , i.e. linear with  $|T|$ , the number of transitions in the net. As it was the case for  $n$ -GEN, PR MPs seem to be less efficient than plain MPs on  $n$ -DIJKSTRA.

We note that this example exhibits some of the features explained in Section 5.1. For instance, process 0 can transition from  $l_{5,0}$  to  $l_{2,0}$  if there exists another process  $i$  with  $c_i = f$ . Thus, for  $n \geq 3$  there would be a choice between multiple (i.e.  $n - 1$ ) transitions in parallel

Table 2: Unfolding and MP sizes of  $n$ -DIJKSTRA, its plain, and PR encodings. Last row obtained through regression analysis, see the text.

Net		Merged Processes			Unfoldings		
$n$	$ T $	Ctx	Plain	PR	Ctx	Plain	PR
2	18	31	42	40	35	54	54
3	36	64	113	121	131	371	364
4	60	105	220	278	406	2080	1998
5	90	155	375	582	1139	10463	9822
6	126	214	589	1198	3000	49331	44993
	$\mathcal{O}(n^2)$	$\mathcal{O}(n^2)$	$\mathcal{O}(n^3)$	$\mathcal{O}(n^3)$	$\mathcal{O}(3^n)$	$\mathcal{O}(5^n)$	$\mathcal{O}(5^n)$

to implement the check, a structure also found in the  $n$ -GEN example. We note that such structures would also naturally ensue from other mutual exclusion algorithms that typically involve checking for the presence of some other event with a certain property.

### 5.3 Assorted Benchmarks

In this section we present experimental results for a number of benchmark examples circulating in the PN community (collected mostly by Corbett [Cor96]). The following consistent setup was used to produce them:

- The total adequate order proposed in [KM11] was used.
- All configurations were allowed as cutoff correspondents.
- The cutoff (mp-)events and post-cutoff (mp-)conditions were not counted.

The plain and PR unfolding prefixes were constructed using PUNF [Kho], and the contextual unfolding prefixes were computed by compressing the PR ones with PRCOMPRESS<sup>5</sup>. The plain and PR MPs have been merged from the corresponding unfolding prefixes with MCI2MP, and the CMPs were merged from the corresponding contextual unfolding prefixes using CMERGE. Note that the direct construction of contextual unfoldings and MPs would yield the same results [KM11, BBC<sup>+</sup>12].

Recall the following theoretical guarantees:

- The contextual unfolding prefix is never larger than the PR prefix.
- The plain/PR/contextual MP is never larger than the corresponding unfolding prefix.

Table 3 compares the sizes of plain, PR and contextual unfolding prefixes and MPs. The 4<sup>th</sup> and 5<sup>th</sup> columns from the left are, respectively, the number of read arcs in the net and place replicas in its PR encoding.<sup>6</sup> The number of conditions and events for the plain and PR

5. All tools available from the URL indicated in Footnote 4.

6. More precisely,  $\sum_{p \in P, |p| > 1} (|p| - 1)$ .

Table 3: Experimental results, see the text for more information.

Benchmark	Unfolding										Merged process										Gains		
	Net		Stats.		Repl.		Plain		PR		Ctx		Plain		PR		Ctx		$\widehat{E}^{(d)}$	$a/d$	$b/d$	$a/c$	
	$ P $	$ T $	$ C $				$ B $	$ E ^{(d)}$	$ B $	$ E $	$ B $	$ E ^{(b)}$	$ \widehat{B} $	$ \widehat{E} ^{(c)}$	$ \widehat{B} $	$ \widehat{E} $	$ \widehat{B} $	$ \widehat{E} ^{(d)}$					
Bds	53	59	24	15	15	4.50	3.79	2.60	2.14	424	252	1.11	1.14	1.36	1.07	70	44	21.73	5.73	19.12			
BRUIN	86	165	158	142	142	2.84	1.97	7.00	1.70	286	208	1.33	1.44	3.83	1.31	115	127	3.22	1.64	2.23			
Byz	504	409	376	284	284	2.38	1.80	1.41	1.00	17019	7748	1.23	1.03	1.85	1.22	529	303	46.11	25.57	44.78			
EISENBahn	44	44	6	3	3	2.19	2.15	2.22	2.04	99	53	1.13	1.30	1.22	1.19	69	43	2.65	1.23	2.04			
FTP	176	529	39	33	33	1.06	1.04	1.02	1.00	73516	37540	1.02	1.05	1.19	1.00	254	455	85.74	82.51	81.61			
KNUTH	78	137	114	98	98	2.62	1.81	5.42	1.62	247	178	1.32	1.31	3.25	1.27	102	112	2.88	1.59	2.20			
MUTUAL	49	41	12	4	4	1.41	1.23	1.51	1.23	187	121	1.12	1.26	1.23	1.27	92	73	2.04	1.66	1.62			
DME(2)	135	98	132	0	0	1.61	1.00	1.61	1.00	293	118	1.55	1.04	1.55	1.04	195	90	1.31	1.31	1.26			
DME(4)	269	196	264	0	0	1.73	1.00	1.73	1.00	1337	636	1.56	1.04	1.56	1.04	389	180	3.53	3.53	3.38			
DME(6)	403	294	396	0	0	1.79	1.00	1.79	1.00	3517	1794	1.56	1.04	1.56	1.04	583	270	6.64	6.64	6.36			
DME(8)	537	392	528	0	0	1.83	1.00	1.83	1.00	7217	3832	1.56	1.04	1.56	1.04	777	360	10.64	10.64	10.19			
DME(10)	671	490	660	0	0	1.86	1.00	1.86	1.00	12821	6990	1.56	1.04	1.56	1.04	971	450	15.53	15.53	14.87			
ELEV(1)	63	99	18	11	11	1.02	1.00	1.34	1.00	152	85	1.02	1.00	1.38	1.00	56	46	1.85	1.85	1.85			
ELEV(2)	146	299	59	47	47	1.03	1.00	1.85	1.00	858	477	1.01	1.00	2.02	1.00	125	135	3.53	3.53	3.53			
ELEV(3)	327	783	160	141	141	1.03	1.00	2.66	1.00	4050	2241	1.00	1.00	2.90	1.00	263	346	6.48	6.48	6.48			
ELEV(4)	736	1939	405	375	375	1.04	1.00	4.08	1.00	17360	9567	1.00	1.00	3.98	1.00	556	841	11.38	11.38	11.38			
FURN(1)	27	37	9	5	5	1.12	1.04	1.18	1.00	130	72	1.09	1.03	1.23	1.00	43	33	2.27	2.18	2.21			
FURN(2)	40	65	11	6	6	1.14	1.06	1.14	1.00	582	324	1.07	1.05	1.19	1.02	75	94	3.66	3.45	3.47			
FURN(3)	53	99	13	7	7	1.14	1.08	1.12	1.00	2265	1250	1.07	1.02	1.17	1.01	106	221	6.09	5.66	5.95			
KEY(2)	94	92	32	31	31	2.74	2.16	1.72	1.27	302	191	1.22	2.50	1.59	1.17	112	105	3.92	1.82	1.57			
KEY(3)	129	133	48	47	47	5.81	4.60	2.81	2.19	1276	806	1.21	4.13	1.64	2.34	151	186	19.93	4.33	4.83			
KEY(4)	164	174	64	63	63	11.37	9.08	5.56	4.43	5806	3637	1.21	5.26	1.67	9.92	190	290	113.82	12.54	21.63			
MmGT(1)	50	58	1	0	0	1.00	1.00	1.00	1.00	79	38	1.00	1.00	1.00	1.00	57	38	1.00	1.00	1.00			
MmGT(2)	86	114	2	0	0	1.00	1.00	1.00	1.00	502	250	1.00	1.00	1.00	1.00	99	155	1.61	1.61	1.61			
MmGT(3)	122	172	3	0	0	1.00	1.00	1.00	1.00	2849	1424	1.00	1.00	1.00	1.00	141	355	4.01	4.01	4.01			
MmGT(4)	158	232	4	0	0	1.00	1.00	1.00	1.00	14900	7450	1.00	1.00	1.00	1.00	183	638	11.68	11.68	11.68			
RW(1,1)	84	208	123	75	75	1.23	1.00	1.78	1.00	142	94	1.26	1.00	2.03	1.00	77	65	1.45	1.45	1.45			
RW(2,1)	72	88	27	16	16	1.19	1.01	1.30	1.00	845	554	1.26	1.01	1.45	1.00	113	165	3.39	3.36	3.37			
RW(3,1)	106	270	129	81	81	1.19	1.04	1.60	1.00	5100	3376	1.24	1.02	1.93	1.00	160	368	9.54	9.17	9.39			
RW(1,2)	209	1482	1132	717	717	1.21	1.00	3.36	1.00	2836	1838	1.35	1.01	4.76	0.99	159	371	4.95	4.95	4.90			
SENTTEST(25)	104	55	8	5	5	1.32	1.29	1.35	1.29	188	104	1.06	1.11	1.10	1.11	107	55	2.44	1.89	2.20			
SENTTEST(50)	179	80	8	5	5	1.23	1.23	1.25	1.23	263	129	1.03	1.08	1.06	1.08	182	80	1.99	1.61	1.85			
SENTTEST(75)	254	105	8	5	5	1.18	1.19	1.19	1.19	338	154	1.02	1.06	1.04	1.06	257	105	1.75	1.47	1.66			
SENTTEST(100)	329	130	8	5	5	1.15	1.17	1.16	1.17	413	179	1.02	1.05	1.03	1.05	332	130	1.61	1.38	1.54			

unfoldings is normalised wrt. that of the contextual unfolding. Similarly, mp-conditions and mp-events of the plain and PR MPs are normalised wrt. those of the CMPs. The last three columns show the compression gains of CMPs wrt. plain and contextual unfolding prefixes, and the gain of plain MPs wrt. plain unfolding prefixes.

One can see that CMPs are the most compact of all the considered representations.<sup>7</sup> Furthermore, on some benchmarks, notably KEY(4), it has significant advantages over both plain and PR MPs. Interestingly, in this case the PR MP is significantly larger than even the plain MP, which seems to be due to place replication making the subsequent merging much less efficient. As CMPs do not suffer from this problem, they come as a clear winner in such cases.

## 6 Conclusions and Future Work

We have developed a new condensed representation of the state space of a contextual Petri net, called contextual merged processes. This representation combines the advantages of merged processes and contextual unfoldings, and copes with several important sources of state space explosion: concurrency, sequences of choices, and concurrent read accesses to shared resources. The experimental results demonstrate that this representation is significantly more compact than either merged processes or contextual unfoldings.

We also proved a number of results which lay the foundation for model checking of reachability-like properties of safe c-nets based on CMPs. In particular, given a CMP, they allow one to reduce (in polynomial time) such a model checking problem to SAT. Furthermore, since the algorithm for direct construction of merged processes of safe Petri nets proposed in [KM11] is based on model checking, it can be transferred to the contextual case, which would complete the verification flow based on CMPs.

We currently work on implementing the proposed model checking algorithm and on porting the algorithm for direct construction of MPs proposed in [KM11] to the contextual case. (While the high-level structure of the latter algorithm remains the same, moving from Petri nets to c-nets entails several low-level changes in the nets representation, which pervade the whole code; thus, this porting requires significant implementation effort.)

Another possible direction of future work is to generalise our approach. Normal Petri net unfoldings work very well when systems are entirely concurrent and independent of one another, but many sources of state-space explosion appear when they interact. The approaches that we have combined in this work tackle two such sources; they compress the unfolding and have further commonalities. While Petri net unfoldings are *structurally* acyclic, c-net unfoldings and merged processes have structural cycles but could be said to be *semantically* acyclic: every marking can still be reached by a repetition-free execution and hence one retains the NP-completeness of reachability problem (which is PSPACE-complete for safe Petri nets). This poses the question whether our solutions are a part of a more general phenomenon. The following example suggests that this might be the case. Consider Fig. 9 (a). The token on place  $p$  acts as a lock ensuring mutual exclusion between two critical sections represented by places  $b_1$  and  $b_2$ .

7. Though the PR MP of RW(1,2) has four mp-events fewer, it has many more mp-conditions.



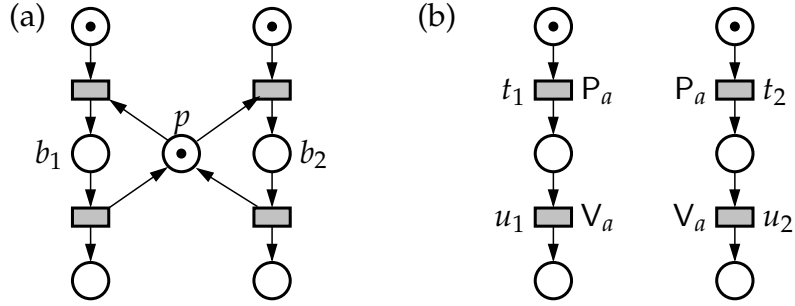


Figure 9: Two processes competing for lock  $p$ : (a) a Petri net (b) a net where lock operations are annotated on transitions.

The two processes are independent of one another, except for the temporal restriction that they cannot possess the lock  $p$  at the same time. This imposes a truly semantic sequentialisation constraint (unlike the sequentialisation in Fig. 3 (b), which is merely due to an inadequate semantics-changing encoding). The traditional unfolding techniques cannot take advantage of the fact that the processes are otherwise independent. Indeed, when the example from Fig. 9 is scaled to  $n$  processes, a complete unfolding prefix is of size  $\mathcal{O}(2^n)$  and a complete MP is still of size  $\mathcal{O}(n^2)$  when produced by the tool PUNF.

It is conceivable that this case could be handled by treating locks explicitly and annotating transitions with locking (P) and unlocking (V) actions, like in Fig. 9 (b). When multiple locks are involved, their use may introduce circular precedence constraints that can be captured with, e.g. the Lock Causality Graphs of [Kah09]. A suitably defined unfolding for such a case would then unfold both processes independently, only demanding that configurations do not include circular lock constraints. One easily observes that in such a setting, like in ours, an event may have multiple histories that would need to be taken into account to determine cutoffs. In Fig. 9 (b), for instance,  $t_2$  may occur either individually or in a context in which  $t_1, u_1$  *must* have occurred before it. It is therefore quite conceivable that locks could be seamlessly integrated with CMPs as they once again exhibit similar characteristics. To conclude, an interesting perspective for the future research would be to develop a generic framework that handles such effects.

## References

- [BBC<sup>+</sup>12] Paolo Baldan, Alessandro Bruni, Andrea Corradini, Barbara König, César Rodríguez, and Stefan Schwoon. Efficient unfolding of contextual Petri nets. *TCS*, 449:2–22, 2012.
- [BCKS08] Paolo Baldan, Andrea Corradini, Barbara König, and Stefan Schwoon. McMillan’s complete prefix for contextual nets. *ToPNoC*, 1:199–220, 2008. LNCS 5100.
- [BCM01] Paolo Baldan, Andrea Corradini, and Ugo Montanari. Contextual Petri nets, asymmetric event structures, and processes. *Inf. Comput.*, 171(1):1–49, 2001.

- [Cor96] James C. Corbett. Evaluating deadlock detection methods for concurrent software. *IEEE Transactions on Software Engineering*, 22:161–180, 1996.
- [Dij65] E. W. Dijkstra. Solution of a problem in concurrent programming control. *Commun. ACM*, 8(9):569ff, September 1965.
- [ERV02] Javier Esparza, Stefan Römer, and Walter Vogler. An improvement of McMillan’s unfolding algorithm. *Formal Methods in System Design*, 20:285–310, 2002.
- [Hel99a] Keijo Heljanko. *Deadlock and reachability checking with finite complete prefixes*. Licentiate’s thesis, Helsinki University of Technology, 1999.
- [Hel99b] Keijo Heljanko. Minimizing finite complete prefixes. In *Proc. CS&P*, pages 83–95, 1999.
- [JK91] Ryszard Janicki and Maciej Koutny. Invariant semantics of nets with inhibitor arcs. In *Proc. CONCUR*, volume 527 of *LNCS*, pages 317–331, 1991.
- [Kah09] Vineet Kahlon. Boundedness vs. unboundedness of lock chains: Characterizing decidability of CFL-reachability for threads communicating via locks. In *Proc. LICS*, pages 27–36, 2009.
- [Kho] Victor Khomenko. PUNF. <http://homepages.cs.ncl.ac.uk/victor.khomenko/tools/punf/>.
- [Kho03] Victor Khomenko. *Model Checking Based on Prefixes of Petri Net Unfoldings*. PhD thesis, School of Computing Science, Newcastle University, 2003.
- [KKKV06] Victor Khomenko, Alex Kondratyev, Maciej Koutny, and Walter Vogler. Merged processes – a new condensed representation of Petri net behaviour. *Act. Inf.*, 43(5):307–330, 2006.
- [KM11] V. Khomenko and A. Mokhov. An algorithm for direct construction of complete merged processes. In *Proc. Petri Nets*, LNCS 6709, pages 89–108, 2011.
- [McM92] Kenneth L. McMillan. Using unfoldings to avoid the state explosion problem in the verification of asynchronous circuits. In *Proc. CAV*, LNCS 663, pages 164–177, 1992.
- [MR94] Ugo Montanari and Francesca Rossi. Contextual occurrence nets and concurrent constraint programming. In *Dagstuhl Seminar 9301*, volume 776 of *LNCS*, pages 280–295, 1994.
- [Ris94] Gioia Ristori. *Modelling Systems with Shared Resources via Petri Nets*. PhD thesis, Department of Computer Science, University of Pisa, 1994.
- [Rod] César Rodríguez. CUNF. <http://www.lsv.ens-cachan.fr/~rodriguez/tools/cunf/>.

- [RS12] César Rodríguez and Stefan Schwoon. Verification of Petri Nets with Read Arcs. In *Proc. CONCUR*, volume 7454 of *LNCS*, pages 471–485, September 2012.
- [RSB11] César Rodríguez, Stefan Schwoon, and Paolo Baldan. Efficient contextual unfolding. In *Proc. CONCUR*, volume 6901 of *LNCS*, pages 342–357, September 2011.
- [RSK13] César Rodríguez, Stefan Schwoon, and Victor Khomenko. Contextual merged processes. In *Proc. ICATPN*, volume 7927 of *LNCS*, pages 29–48, June 2013.
- [RTM04] Darsh P. Ranjan, Daijue Tang, and Sharad Malik. A comparative study of 2QBF algorithms. In *Proc. SAT*, 2004.
- [Val98] Antti Valmari. The state explosion problem. In *Lectures on Petri Nets I: Basic Models*, volume 1491 of *LNCS*, pages 429–528. Springer, Berlin Heidelberg, 1998.
- [VSY98] Walter Vogler, Alexei L. Semenov, and Alexandre Yakovlev. Unfolding and finite prefix for nets with read arcs. In *Proc. CONCUR*, volume 1466 of *LNCS*, pages 501–516, 1998.